

Converter Cord

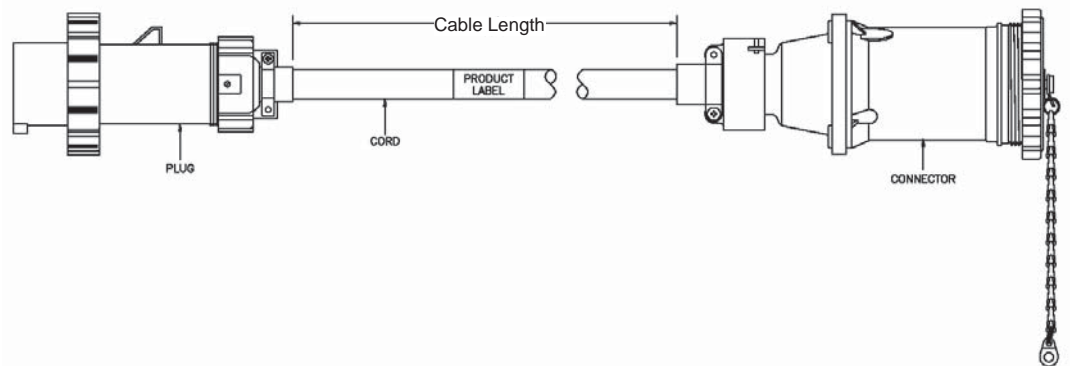
Catalog No: CC32-480-60-1F
 Item No: 0914-00-1F

Features



- Connects 60A reefer container plug to 32A electrical outlets
- UL Listed watertight male plug and female connector
- Custom lengths available upon request
- Wired with SEOW 10/4 yellow cable

Drawing



Approvals

- UL/cUL Listed plug
- UL/cUL Listed connectors

Specifications

Catalog No: CC32-480-60-1F

Item No: 0914-00-1F

Ratings

Electrical

32A 480VAC male plug & 60A 480VAC female connector (380/440VAC 50/60 Hz) 3 phase 3 wire + ground, 3h per IEC 60309-1 & -2

Environmental

Type 4X, IP67 per IEC 529/IEC 60309-1 (with mated plugs and receptacles)

Materials

Polyamide

Body, lock ring, gland ring, inner sleeve

Phenolic

Contact carrier

Brass

Contact pins

Polychloroprene

Gaskets

Buna-N (Nitrile/NBR)

O-rings

Polyamide base, silicon seal

Grommet

Rubber

Cable jacket

Packaging

Product weight

Varies

Shipping weight

Varies

Shipping dimensions

Varies