

INTERLOCKED POWER MODULE

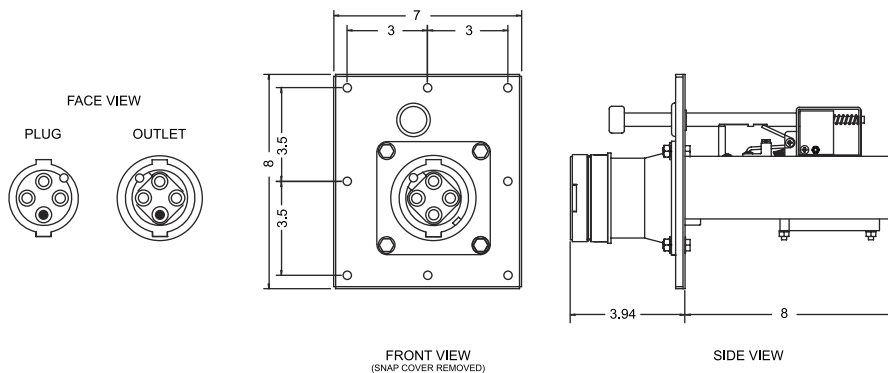
60AMP 480VAC

Catalog No: R60-480-60-22LDW4-SP

Item No: 1700-78A4



- Heavy Duty Stainless Steel Construction Resists Corrosion & Abuse
- UL Listed Circuit Breaker Protects Operator & Equipment
- Mates with Appleton® ACP6034BC Male Plug or Crouse-Hinds® APJ6485 Male Plug.



RATING:

- Receptacle - Appleton® ADR6034, 60A 480VAC
- Circuit Breaker - 60A Trip / 22,000AIC @ 480VAC
- Environmental - IP56 per IEC 529
(Screw Cover) Type 4X capable per NEMA 250, UL 50/508, CSA 22.2
- Terminals - (3) Phase & (1) Ground pressure type screw terminals

MATERIALS:

- Stainless Steel - Frame, On/Off Rod, Interlock Mechanism, and all Fasteners
- Polyester w/ Fiberglass - Contact Carrier
- Brass - Contact Sleeves
- Aluminum - Screw Cover
- Aluminum - Receptacle Housing
- Neoprene (CR) - Gaskets, Cover Seals

APPROVALS:

- UL/cUL Listed Module • UL 489 Listed / CSA Certified Molded Case Circuit Breaker
- UL Listed Receptacle

ACCESSORIES / PARTS

Description	Item No.	Description	Item No.
• Circuit Breaker	4020-13	• Receptacle & Contact Sleeve Assy	4011-02

ESL Power Systems, Inc.

2800 Palisades Drive • Corona, CA 92880-9427
 Tel: (951) 739-7020 • (800) 922-4188 • Fax: (951) 739-7048

www.eslpwr.com • e-mail: info@eslpwr.com

