

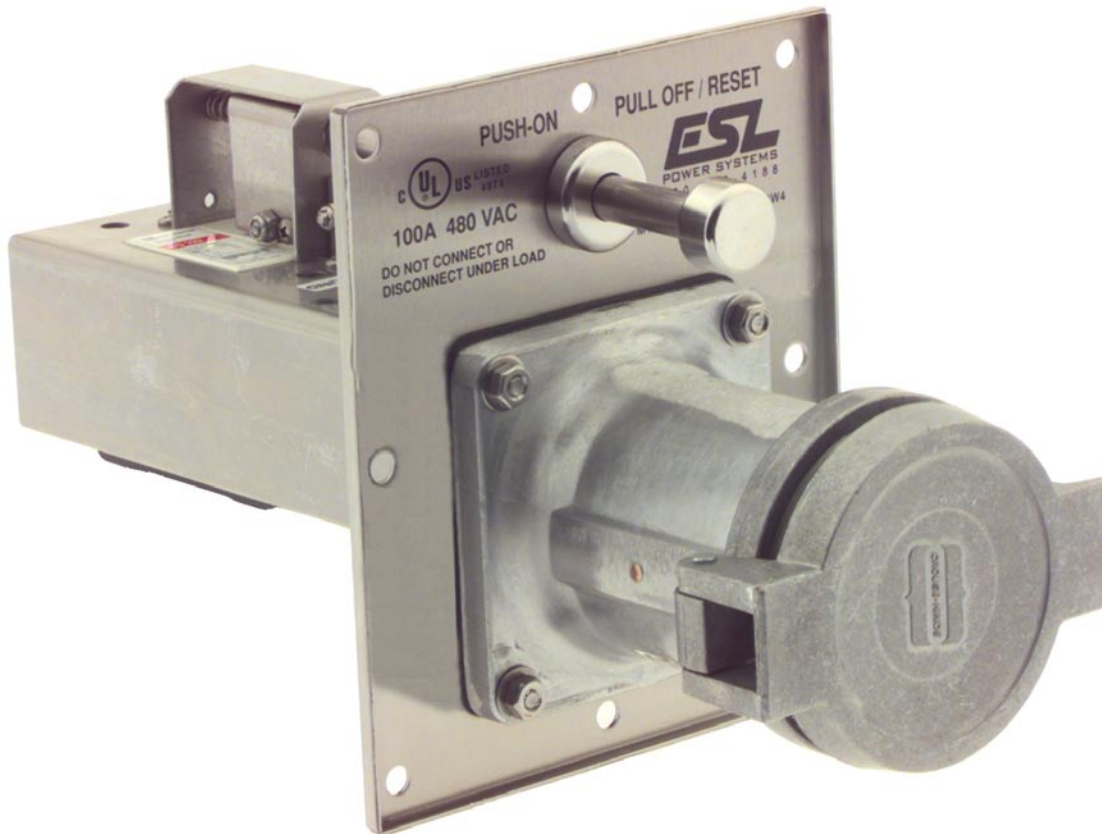
INTERLOCKED POWER MODULE

100AMP 480VAC

(Reverse Service)

Catalog No: R100R-480-100-65LDY4-SP

Item No: 1701-09ACR

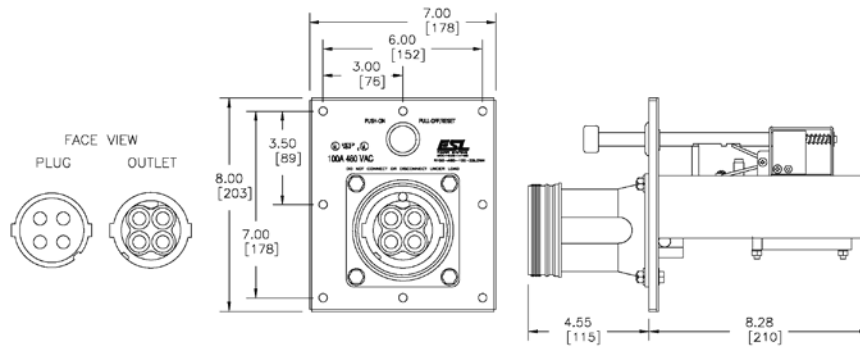


- Heavy Duty Stainless Steel Construction Resists Corrosion & Abuse
- UL Listed Circuit Breaker Protects Operator & Equipment
- Mates with Crouse-Hinds® APJ10487-S22 Female Plugs

ESL Power Systems, Inc. • Tel: (951) 739-7020 • (800) 922-4188 • Fax: (951) 739-7048 • www.eslpwr.com • info@eslpwr.com

©2007 ESL Power Systems
1701-09ACR
080204

ESL
POWER SYSTEMS



RATING:

- Receptacle - (Reverse Service) Crouse-Hinds® AR1042S22, 100A 480VAC
- Circuit Breaker - 100A Trip / 65,000AIC @ 480VAC
- Environmental - (Screw Cover) IP56 per IEC 529
Type 4X capable per NEMA 250, UL 50/508, CSA 22.2
- Terminals - (3) Phase & (1) Ground pressure type screw terminals

MATERIALS:

- Stainless Steel - Frame, On/Off Rod, Interlock Mechanism, and all Fasteners
- Polyester w/ Fiberglass - Contact Carrier
- Brass - Contact Sleeves
- Aluminum - Snap Cover / Screw Cover
- Aluminum - Receptacle Housing
- Neoprene (CR) - Gaskets, Cover Seals

APPROVALS:

- UL/cUL Listed Module • UL 489 Listed / CSA Certified Molded Case Circuit Breaker
- UL Listed Receptacle

ACCESSORIES / PARTS

Description	Item No.	Description	Item No.
• Circuit Breaker	4020-46	• Receptacle & Contact Sleeve Assy	4012-03R

ESL Power Systems, Inc.

2800 Palisades Drive • Corona, CA 92880-9427
 Tel: (951) 739-7020 • (800) 922-4188 • Fax: (951) 739-7048

www.eslpwr.com • e-mail: info@eslpwr.com

