

INTERLOCKED POWER MODULE

60AMP 120/208VAC 4P 5W

Catalog No: R60-120/208-60-65LDY5CG-SP

Item No: 1701-60AC

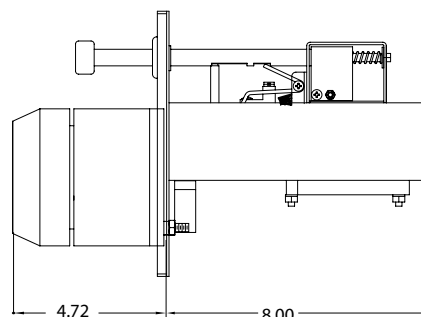
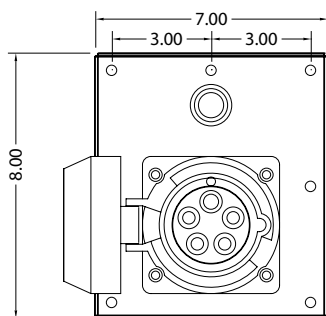


- Heavy Duty Stainless Steel Construction Resists Corrosion & Abuse
- Polyester with Fiberglass Receptacle Resists Corrosion & Abuse
- UL Listed Circuit Breaker Protects Operator & Equipment
- Mates with Cooper Crouse-Hinds® CH560P9W Male Plugs

ESL Power Systems, Inc. • Tel: (951) 739-7020 • (800) 922-4188 • Fax: (951) 739-7048 • www.eslpwr.com • info@eslpwr.com

©2005 ESL Power Systems, Inc.
Item No: 1701-60AC
080208

ESL
POWER SYSTEMS



RATING:

- Receptacle - 60A 120/208VAC, 4P5W - IEC 309-1/2
Cooper Crouse-Hinds® CH560R9W
- Circuit Breaker - 60A Trip / 65,000AIC @ 208VAC
- Environmental - IP56 per IEC 529 / IEC 309-1
Type 4X capable per NEMA 250, UL 50/508, CSA 22.2
- Terminals - (3) Phase, (1) Neutral & (1) Ground pressure type screw terminals

MATERIALS:

- Stainless Steel - Frame, On/Off Rod, Interlock Mechanism, and all Fasteners
- Polyester w/ Fiberglass - Contact Carrier, Receptacle Housing, Snap Cover
- Brass - Contact Sleeves
- Neoprene (CR) - Gaskets, Cover Seals

APPROVALS:

- UL/cUL Listed Module • UL 489 Listed / CSA Certified Molded Case Circuit Breaker
- UL Listed Receptacle

ACCESSORIES / PARTS

Description	Item No.	Description	Item No.
• Circuit Breaker	4020-XX	• Receptacle & Contact Sleeve Assy	4012-XX

ESL POWER SYSTEMS, INC.

2800 Palisades Drive • Corona, CA 92880-9427
Tel: (951) 739-7020 • (800) 922-4188 • Fax: (951) 739-7048

www.eslpwr.com • e-mail: info@eslpwr.com

