

# Safety-interlocked Power Outlet

60A 480VAC

Catalog No: R60-480-60-35LMQ-SP

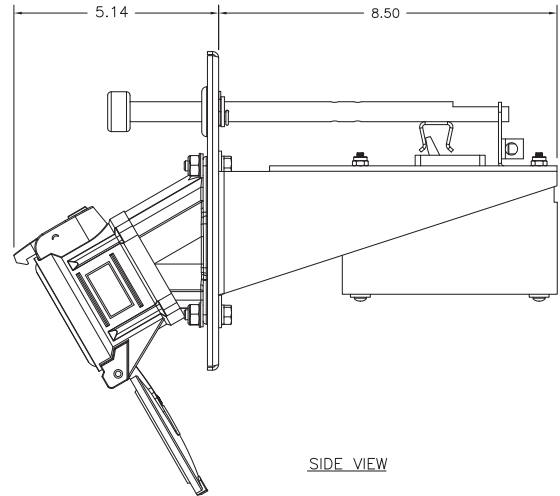
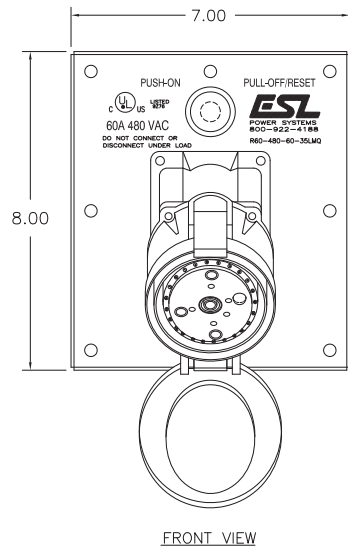
Item No: 1707-69A

## Features



- UL Listed safety-interlocked power outlet containing an integral 60A circuit breaker
- Actuator rod allows user to turn on/off and reset tripped breaker
- UL Listed circuit breaker rated 35kAIC @ 480VAC provides short circuit & over current protection
- Furnished with Meltric receptacle 63-64043 with Poly 30° Angle Adaptor 61-6A027-T132
- Spring-loaded snap cover protects receptacle when not in use
- Mates with Meltric male inlet 63-68043-T132 with handle 61-6A013

## Drawing



## Approvals

- UL/cUL Listed outlet
- UL 489 Listed / CSA certified molded case circuit breaker

# Specifications

Catalog No: R60-480-60-35LMQ-SP  
 Item No: 1707-69A

## Ratings

|                 |  |
|-----------------|--|
| Receptacle      | 60A 480VAC (380/440VAC 50/60 Hz)   |
| Circuit breaker | 3P molded case, 60A trip / 35,000AIC @ 480VAC, other trip and AIC ratings available - contact factory  |
| Terminals       | Installer wires direct to circuit breaker: (3) phase & (1) ground terminals, Phases: (1) #14 AWG - 2/0 AWG (2 - 67mm <sup>2</sup> ) wire range, Ground: #14 - #2 AWG (2-34mm <sup>2</sup> ) wire range |
| Environmental   | Type 4X when housed in ESL single gang or multi gang assembly  |

## Materials

|                      |   |
|----------------------|---|
| Stainless steel      | Frame, faceplate, on/off rod, rod seal, interlock mechanism, contact terminal screws & spring, snap cover and all fasteners |
| Nickel plated brass  | Contact sleeves   |
| Polyamide            | Receptacle housing & insert   |
| Neoprene (CR)        | Gaskets, cover seals  |
| Buna-N (Nitrile/NBR) | O-rings   |

## Packaging

|                     |                  |
|---------------------|------------------|
| Product weight      | 7 lbs.           |
| Shipping weight     | 8 lbs.           |
| Shipping dimensions | 16in x 8in x 8in |

## Replacement Parts

| Description   | Item No. | Description         | Item No.        |
|---|----------|---------------------|-----------------|
| Receptacle complete housing with insert, contact sleeve & ground assembly | 4010-82  | Circuit breaker kit | Consult factory |