

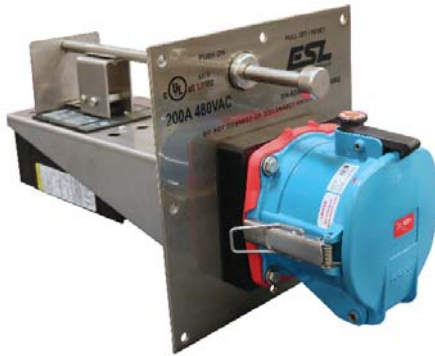
Safety-interlocked Power Outlet

200A 480VAC

Catalog No: M4-R200-480-200-35MMQ-SP

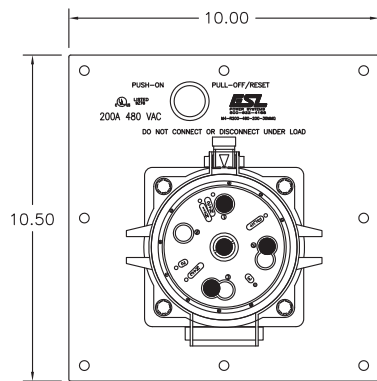
Item No: 1707-71A

Features

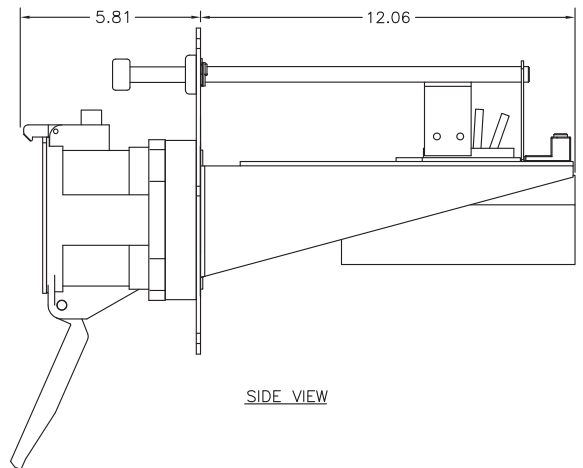


- UL Listed safety-interlocked power outlet containing an integral 200A circuit breaker
- Actuator rod allows user to turn on/off and reset tripped breaker
- UL Listed circuit breaker rated 35kAIC @ 480VAC provides short circuit & over current protection
- Furnished with Meltric receptacle 37-24043-HP-T132
- Spring-loaded snap cover protects receptacle when not in use
- Mates with Meltric male inlet 37-28043-HP-T132
- Meltric drawbar assembly 39-2A024-486 (not shown)

Drawing



FRONT VIEW
(FLAP COVER NOT SHOWN)



SIDE VIEW

Approvals

- UL/cUL Listed outlet
- UL 489 Listed / CSA certified molded case circuit breaker

Specifications

Catalog No: M4-R200-480-200-35MMQ-SP
 Item No: 1707-71A

Ratings

Receptacle	200A 480VAC (380/440VAC 50/60 Hz)
Circuit breaker	3P molded case, 200A trip / 35,000AIC @ 480VAC, other trip and AIC ratings available - contact factory
Terminals	Installer wires direct to circuit breaker: (3) phase & (1) ground pressure type screw terminals, Phases: 3/0 - 350kcmil (85-177mm ²) wire range, Ground: #4 - 4/0 (21-107mm ²) wire range
Environmental	Type 4X when housed in ESL single gang or multi gang assembly

Materials

Stainless steel	Frame, faceplate, on/off rod, rod seal, interlock mechanism, contact terminal screws & spring, snap cover and all fasteners
Nickel plated brass	Contact sleeves
Polyamide	Receptacle housing & insert
Neoprene (CR)	Gaskets, cover seals
Buna-N (Nitrile/NBR)	O-rings

Packaging

Product weight	7 lbs.
Shipping weight	8 lbs.
Shipping dimensions	16in x 8in x 8in

Replacement Parts

Description	Item No.	Description	Item No.
Receptacle complete housing with insert, contact sleeve & ground assembly	4010-82	Circuit breaker kit	Consult factory