

Watertight Male Plug

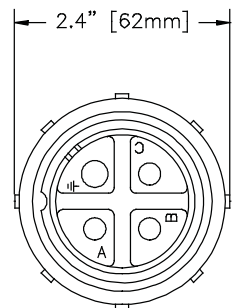
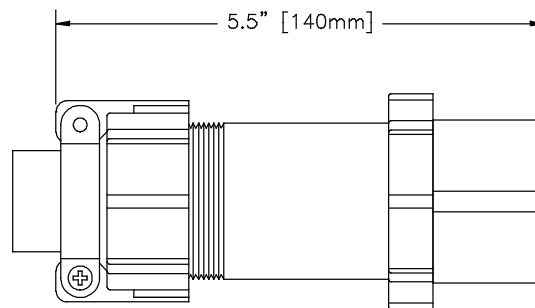
30A 250VAC
 Catalog No: E334MP875
 Item No: 1800-07P-875

Features



- UL Listed pin and sleeve male plug
- Heavy duty watertight design for marine environment
- One termination set screw per pole in backloaded contact carrier for easy assembly

Drawing



Front View

Approvals

- UL & cUL Listed

Specifications

Catalog No: E334MP875

Item No: 1800-07P-875

Ratings

Electrical	30A 250VAC pin & sleeve (250VAC 50/60 Hz) 3 phase 3 wire + ground
------------	-------------------------------------------------------------------

Cable range	0.827in (21mm) diameter
-------------	-------------------------

Environmental	Watertight
---------------	------------

Terminals	(3) Phase & (1) ground pressure type M6 screw terminals (1 per pole) accept #8-#6 AWG (10-16mm ²) conductors
-----------	--------------------------------------------------------------------------------------------------------------------------

Materials

Polyamide	Body, lock ring, gland ring, inner sleeve
-----------	-------------------------------------------

Phenolic	Insert
----------	--------

Brass	Contact pins
-------	--------------

Polychloroprene	Gaskets, grommet
-----------------	------------------

Buna-N (Nitrile/NBR)	O-rings
----------------------	---------

Stainless steel	Gland clamp
-----------------	-------------

Packaging

Approx. product weight	1 lb. (ea)
------------------------	------------

Approx. shipping weight	10 lbs. (carton of 10)
-------------------------	------------------------

Approx. shipping dimensions	17in x 8in x 8in (carton of 10)
-----------------------------	---------------------------------