

# Shore Power Male Plug Assembly

500A 500VAC

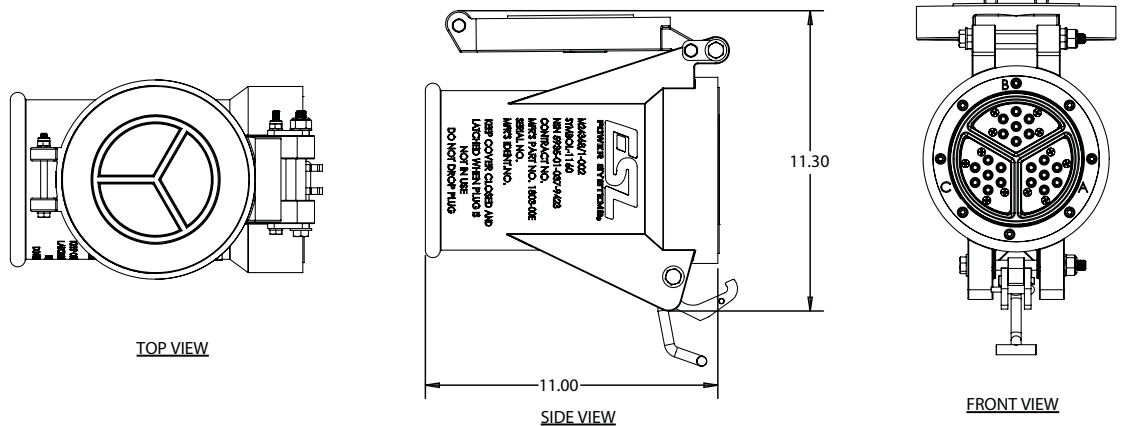
Catalog No: MIL-C-24368/1  
Item No: 1803-00E-002

## Features



- MIL-C-246368 US Navy & NATO standard for vessels & port facilities
- Mates with MIL-C-24368/2 shore power receptacles
- Available with optional cable pigtails factory installed, or cable potting kit available for fixed termination of cables
- Can accept varying lengths of cable to accommodate individual facility layout
- NBR rubber receptacle housing and 316 stainless steel hardware resists humidity, salt spray, sunlight, fuel, ozone, and ice

## Drawing



## Approvals

- QPL 24368 listed

Government Designation	ESL Part Number	Description
M24368/1-002	1803-00E-002	Plug
M24368/1-003	1803-00E-003	Plug + 10ft THOF-500E cable
M24368/1-003 (Length)	1803-00E-003-L*	Plug + L = specified cable length