

# Watertight Female Cord Connector

32A 480VAC

(32A 380/440VAC 3h per IEC 60309-1 & -2)

Catalog No: E333FC1A

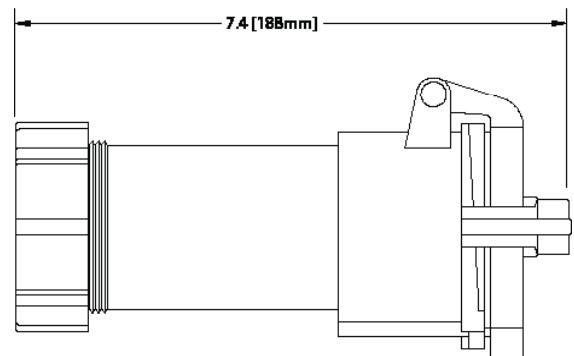
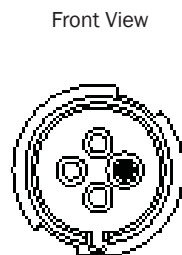
Item No: 1900-01PA

## Features



- UL Listed pin and sleeve female connector
- Heavy duty watertight design for marine environment
- Spring-loaded twist to lock watertight cover protects connector when not in use
- Self-sealing cable grommet provides easy install, strain relief and ensures watertight seal

## Drawing



## Approvals

- UL & cUL Listed

## Specifications

Catalog No: E333FC1A  
Item No: 1900-01PA

### Ratings

Electrical	32A 480VAC pin & sleeve (380/440VAC 50/60 Hz) 3 phase 3 wire + ground, 3h per IEC 60309-1 & -2
Cable range	0.51-0.71in (13 - 18mm) diameter
Environmental	Watertight
Terminals	(3) Phase & (1) ground pressure type terminals (2 per pole) accept #12-#8 AWG (2.5-10mm <sup>2</sup> ) conductors

### Materials

Polyamide	Body, lock ring, gland ring, inner sleeve
Phenolic	Contact carrier
Brass	Contact pins
Polychloroprene	Gaskets
Buna-N (Nitrile/NBR)	O-rings
Polyamide base, silicon seal	Grommet

### Packaging

Approx. product weight	1.3 lbs. (ea)
Approx. shipping weight	13 lbs. (carton of 10)
Approx. shipping dimensions	17in x 8in x 8in (carton of 10)