

# Watertight Female Cord Connector

60A 240VAC  
Catalog No: E634FC2  
Item No: 1900-02P

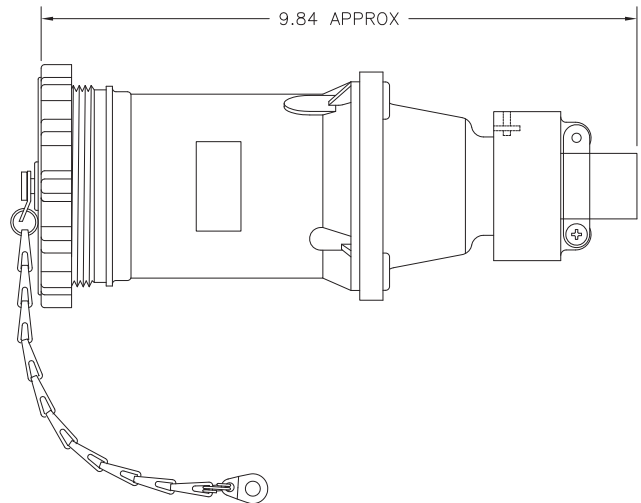
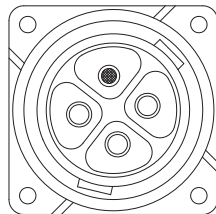
## Features



- UL Listed pin and sleeve female connector
- Heavy duty watertight design for marine environment
- One termination set screw per pole in backloaded contact carrier for easy assembly
- Snap cover also available

## Drawing

FRONT VIEW



## Approvals

- UL & cUL Listed

## Specifications

Catalog No: E634FC2

Item No: 1900-02P

### Ratings

Electrical	60A 240VAC pin & sleeve (380/440VAC 50/60 Hz) 3 phase 3 wire + ground
Cable	.748in (18.99mm) Max diameter
Environmental	Watertight
Terminals	(3) Phase & (1) ground pressure type M6 screw terminals (1 per pole) accept #8-#6 AWG (10-16mm <sup>2</sup> ) conductors

### Materials

Polyamide	Body, gland ring, screw cover
Phenolic	Insert
Brass	Sleeves
Polychloroprene	Gaskets, cable grommet
Buna-N (Nitrile/NBR)	O-rings
Stainless steel	Gland clamp

### Packaging

Approx. product weight	2 lbs. (ea)
Approx. shipping weight	20 (carton of 10)
Approx. shipping dimensions	12in x 5in x 5in (ea)