

# Flanged Connector

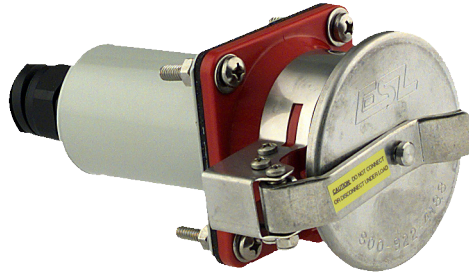
## 32A 480VAC

(32A 380/440VAC 3h per IEC 60309-1 & -2)

Catalog No: CF32N-480-SP

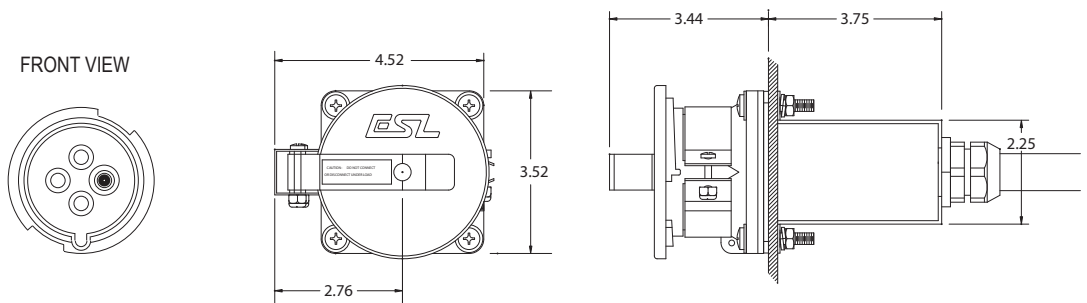
Item No: 1910-01N

### Features



- Heavy-duty design for intermodal applications, shipboard, rail or over-road
- For use as an in-line connector or can be equipment-mounted using extra long bolts provided
- Developed specifically for the severe punishment of underslung gen-set applications, mounted on gen-set or directly to trailer chassis
- Stainless steel self-aligning snap cover
- Watertight screw cover optional
- 2-piece receptacle with polyamide receptacle housing and high temp rynite® insert

### Drawing



## Specifications

Catalog No: CF32N-480-SP

Item No: 1910-01N

### Ratings

|               |  |
|---------------|--|
| Electrical    | 32A 480VAC pin & sleeve (380/440VAC 50/60 Hz) 3 phase 3 wire + ground, 3h per IEC 60309-1 & -2                                       |
| Cable range   | 0.55-0.71in (14 - 18mm) diameter   |
| Environmental | Watertight   |
| Terminals     | (3) Phase & (1) ground pressure type 1/4-28 screw terminals (2 per pole) accept #10 - #12 AWG (5-3mm <sup>2</sup> ) 4 conductor cord |

### Materials

|                      |   |
|----------------------|---|
| Stainless steel      | Rear housing, terminal screws, snap cover and all fasteners |
| Polyamide            | Receptacle housing  |
| Rynite®              | Receptacle insert   |
| Nickel plated brass  | Contact sleeves   |
| Neoprene             | Gaskets, cover seals  |
| Buna-N (Nitrile/NBR) | O-rings   |

### Packaging

|                             |                                 |
|-----------------------------|---------------------------------|
| Approx. product weight      | 3 lbs. (ea)                     |
| Approx. shipping weight     | 30 lbs. (carton of 10)          |
| Approx. shipping dimensions | 17in x 8in x 8in (carton of 10) |