

Portable Step-up Transformer Cart

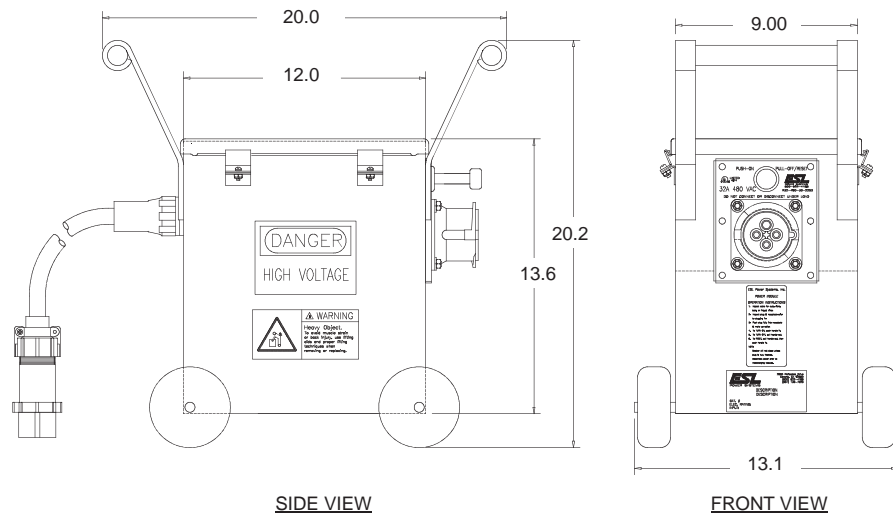
15KVA 240:480 Autotransformer
 Catalog No: XK30-240-32-480-SP
 Item No: 2203-97-01A

Features



- 3-phase self contained, portable unit; safely connect 32A 480V reefers to 30A 240V power outlets
- Powder-coated stainless steel enclosure resists corrosion & abuse
- Contains UL Listed safety-interlocked module #1700-56AN containing an integral 30A circuit breaker
- Handles, wheels and lashing points allow maximum flexibility for shipboard or landside use

Drawing



Approvals

- UL Listed receptacle
- UL 489 Listed / CSA certified molded case circuit breaker
- UL Listed plug

Specifications

Catalog No: XK30-240-32-480-SP

Item No: 2203-97-01A

Ratings

| | |
|------------------------------|---|
| Transformer | 15KVA 3Ø 60Hz (12.5 KVA 50Hz) |
| Nominal voltage | 1:2, 220-240: 440-480 VAC |
| Secondary circuit protection | 30A trip, 22,000AIC @ 480VAC |
| Receptacle | 32A 480VAC (380/440VAC 50/60Hz) 3 phase 3wire + ground, 3h per IEC 60309-1 & -2 |
| Connectors | Watertight male plug E334MP, 30A 240VAC |

Materials

| | |
|--|-------------|
| Powder coated type 304 stainless steel | Enclosure |
| Varnish potting compound | Encapsulant |
| Copper, steel; epoxy sealed | Transformer |

Packaging

| | |
|-------------------------|----------|
| Approx. product weight | 148 lbs. |
| Approx. shipping weight | 153 lbs. |