

Reefer Sharing Unit - Shipboard

32A 480VAC

(32A 380/440VAC 3h per IEC 60309-1 & -2)

Catalog No: RSUWS-32-480-SW-S-4H

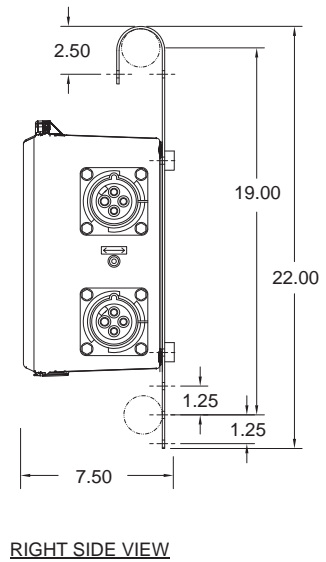
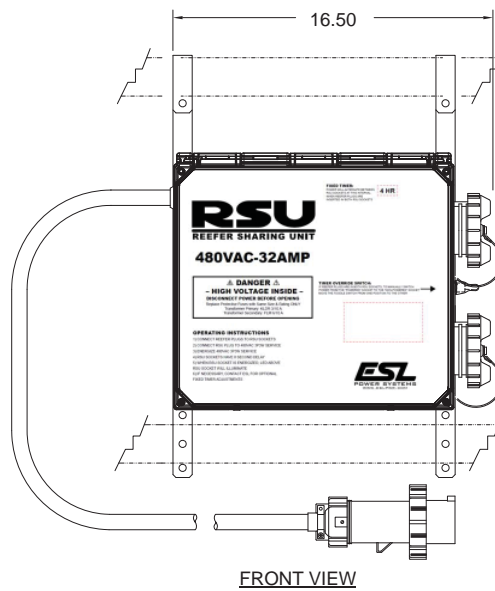
Item No: 2213-14SA

Features



- Power two reefers from one power outlet - alternately powers each container when two reefers are connected. Continuously powers one reefer if only one is connected.
- Two high visibility LED lights to indicate which outlet is energized
- Override switch (A-B switch) to manually switch power to either reefer
- Effectively doubles the frozen-load capacity; pays for itself in one ocean crossing
- The (2) interlocked outlets cannot be energized until plug is inserted & the collar is made-up
- Choice of outlet configuration, snap or screw cover, handle or hanger
- Furnished with fixed 4-hour timer (other timer settings available)

Drawing



Approvals

- UL Listed receptacles
- UL Listed plug
- GL Certified

Specifications

Catalog No: RSUWS-32-480-SW-S
 Item No: 2213-14SA

Ratings

Receptacle	32A 480VAC (380/440VAC 50/60 Hz) 3 phase 3 wire + ground, 3h per IEC 60309-1 & -2
Plug	32A 480VAC pin & sleeve (380/440VAC 50/60 Hz) 3 phase 3 wire + ground, 3h per IEC 60309-1 & -2
Environmental	Type 4X/IP67 (with screw cover or mated plug)

Components

Enclosure	NEMA 4X fiberglass reinforced polyester
Power connections	Interlocked outlets and male plug as noted in above ratings section, 10' [3m] heavy duty oil & sunlight resistant S00W 10/4 cord

Approximate Weight

Approx. weight	23 lbs.
Approx. shipping weight	25 lbs.
Shipping dimensions	17in x 17in x 17in