

# ShowSwitch™ Company Switch



200A 208Y/120VAC

Catalog No: CS23-200C-208Y/120-65-311-LS-CP3

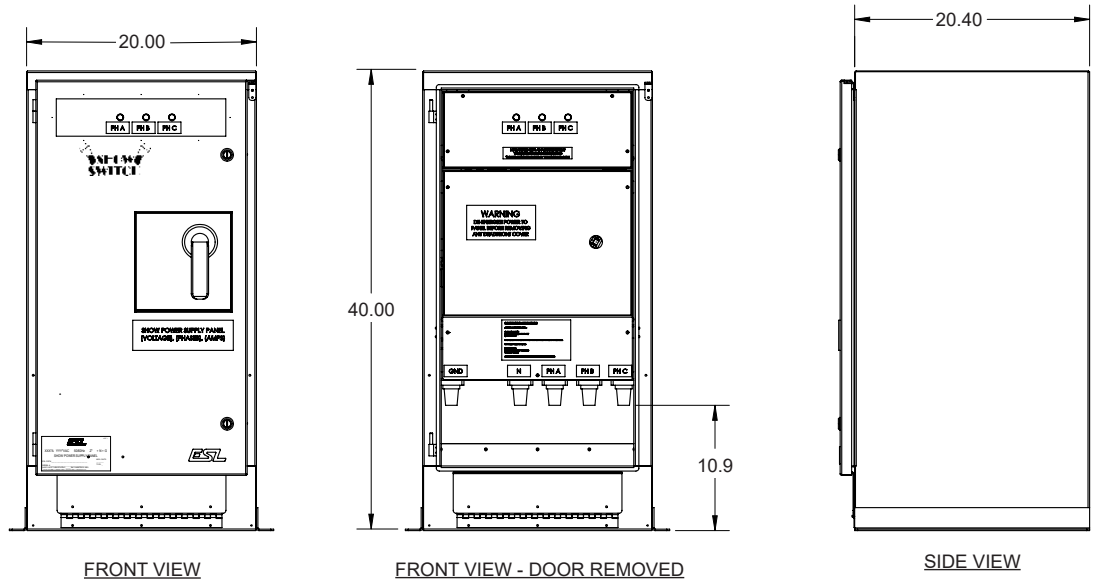
Item No: 3323-09WG-3R

## Features



- UL Listed company switch assembly with safety-interlocked integral 200A circuit breaker
- Type 3R pad mount 14ga powder coated wrinkle gray steel enclosure
- Safety-interlocked door for safe connection, operation, and maintenance
- Color-coded cam-style receptacles nested in interior chamber
- Indicator lights to confirm power is available at connectors
- Recessed padlockable operator handle
- Padlockable door
- UL Listed molded case main circuit breaker protects operator & equipment

## Drawing



## Approvals

- UL/cUL 891 Listed assembly
- UL/cUL Listed cam-type receptacles
- UL 489 Listed / CSA certified molded case circuit breaker

## Specifications

Catalog No: CS23-200C-208Y/120-65-311-LS-CP3

Item No: 3323-09WG-3R

### Ratings

|                 |   |
|-----------------|---|
| Receptacles     | 400A 600VAC rated single pole color-coded series 16 cam-style female black/red/blue phase receptacles, female white neutral receptacle and female green ground receptacle |
| Circuit breaker | 200A Trip, 3P 65,000AIC @ 240VAC (80% rated circuit breaker)  |
| Terminals       | Breaker Line Terminals: 3/0 - 350kcmil (other options available)<br>Ground Lug - #6 - 250kcmil<br>Neutral Lug - #6 - 250kcmil   |

### Packaging

|                         |                       |
|-------------------------|-----------------------|
| Approx. product weight  | 160 lbs.              |
| Approx. shipping weight | 195 lbs. (palletized) |

### Options

- 480Y/277VAC
- Type 1
- Dual neutral
- Direct wire connection chamber
- 100% rated circuit breaker
- Stainless steel enclosure
- Wall mount, flush mount
- Isolated ground
- Choice of exterior color
- Ammeter
- Connection chamber light
- Reverse gender receptacle