

# Pin & Sleeve Theater Outlet

100A 208Y/120VAC

Catalog No: CSPS-100C-208Y/120-65-55-CW1

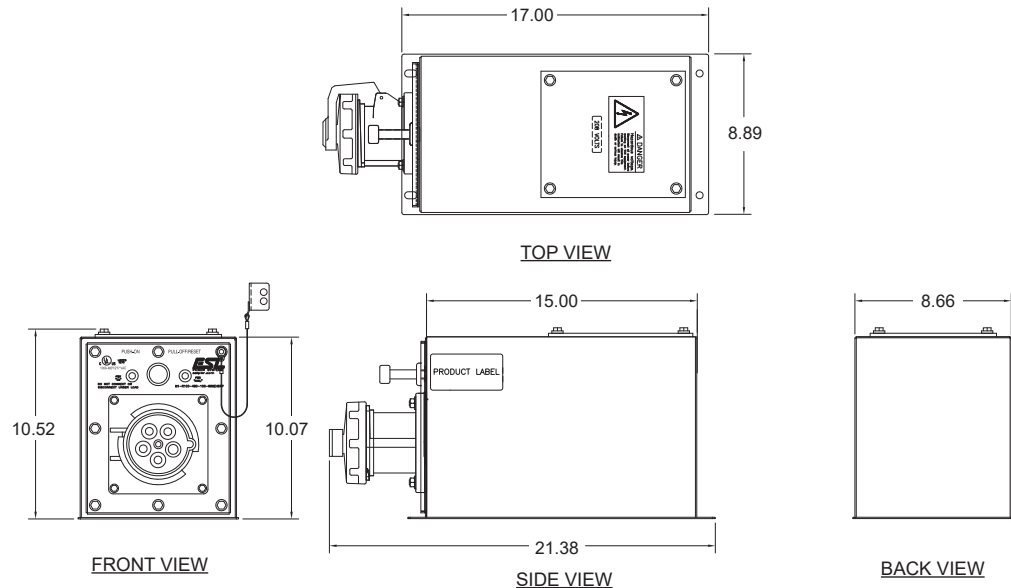
Item No: 3361-04

## Features



- UL Listed theater outlet complete with UL Listed safety-interlocked outlet containing an integral 100A circuit breaker
- Galvanneal Steel standard, stainless steel optional
- Powder coated wrinkle black (type 1); Type 4X available
- 5100R9W pin and sleeve receptacle with protective cover
- UL Listed circuit breaker rated 65kAIC @ 208VAC provides short circuit & overcurrent protection
- Actuator rod allows user to turn on/off and reset tripped breaker
- Indicator lights for “Power Available and “Power On”
- Tethered lock-out device
- Universal mounting – requires (4) fasteners
- Bolt-on access cover

## Drawing



## Approvals

- UL/cUL Listed outlet
- UL/cUL Listed assembly
- UL 489 Listed / CSA certified molded case circuit breaker

## Specifications

Catalog No: CSPS-100C-208Y/120-65-55-CW1  
Item No: 3361-04

### Ratings

Receptacle	100A 208Y/120VAC (50/60 Hz) IEC 5100R9W 3 phase 4 wire + ground
Circuit breaker	100A Trip / 65,000AIC @ 208VAC other trip and AIC ratings available - contact factory
Terminals	Installer wires direct to circuit breaker: (3) phase, (1) Neutral & (1) ground pressure type screw terminals, Breaker line terminals: #6 - 3/0
Environmental	Type 1

### Materials

Stainless steel	Access cover, outlet frame, on/off rod, interlock mechanism, snap cover and all fasteners
Steel	Enclosure (stainless optional)
Brass	Contact sleeves
Copper	Ground bus
Polyamide	Receptacle housing

### Packaging

Product weight	30 lbs.
Shipping weight	33 lbs.

### Replacement Parts

Description	Item No.	Description	Item No.
Replacement receptacle kit	4010-92	Teather w/ lock out device	4041-01
Circuit breaker kit	4020-44		