

Pin & Sleeve Theater Outlet

60A 208Y/120VAC

Catalog No: CSPS-60C-208Y/120-65-55-CW1

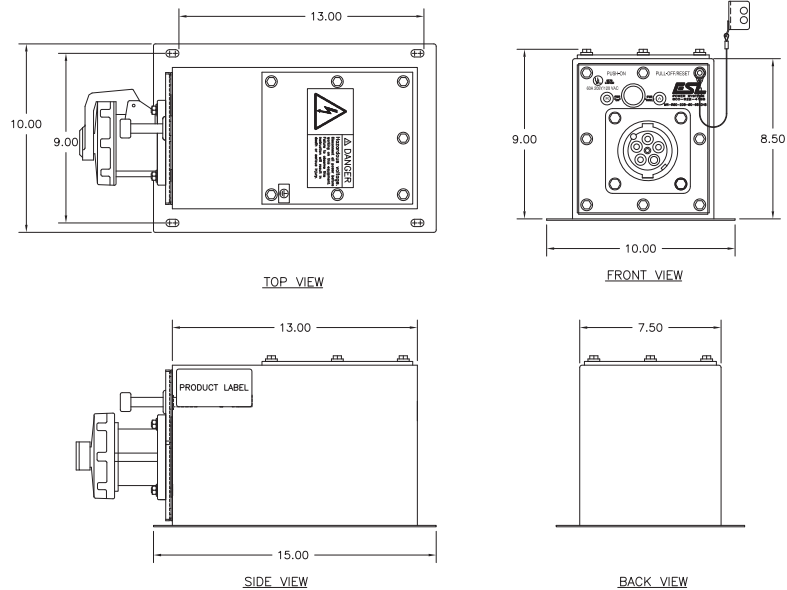
Item No: 3366-00

Features



- UL Listed theater outlet complete with UL Listed safety-interlocked outlet containing an integral 60A circuit breaker
- Powder coated wrinkle black Steel (type 1); wrinkle gray (type 3R); Type 4X available
- 560R9W pin and sleeve receptacle with protective cover
- UL Listed circuit breaker rated 65kAIC @ 208VAC provides short circuit & overcurrent protection
- Actuator rod allows user to turn on/off and reset tripped breaker
- Indicator lights for “Power Available and “Power On”
- Tethered lock-out device
- Universal mounting – requires (4) fasteners
- Gasketed bolt-on access cover

Drawing



Approvals

- UL/cUL Listed outlet
- UL/cUL Listed assembly
- UL 489 Listed / CSA certified molded case circuit breaker

Specifications

Catalog No: CSPS-60C-208Y/120-65-55-CW1

Item No: 3366-00

Ratings

Receptacle	60A 208Y/120VAC (50/60 Hz) IEC 560R9W 3 phase 4 wire + ground
Circuit breaker	60A Trip / 65,000AIC @ 208VAC other trip and AIC ratings available - contact factory
Terminals	Installer wires direct to circuit breaker: (3) phase, (1) Neutral & (1) ground pressure type screw terminals, Breaker line terminals: #6 - 3/0
Environmental	Type 1

Materials

Stainless steel	Access cover, outlet frame, on/off rod, interlock mechanism, snap cover and all fasteners
Steel	Enclosure (stainless optional)
Brass	Contact sleeves
Copper	Ground bus
Polyamide	Receptacle housing
Neoprene (CR)	Gaskets, cover seals

Packaging

Product weight	24 lbs.
Shipping weight	25 lbs.
Shipping dimensions	16in x 8in x 8in

Replacement Parts

Description	Item No.	Description	Item No.
Replacement receptacle kit	4010-88	Teather w/ lock out device	4041-01
Circuit breaker kit	4020-43		