

# OutTap™ Distribution Unit

**UL 891 Listed**

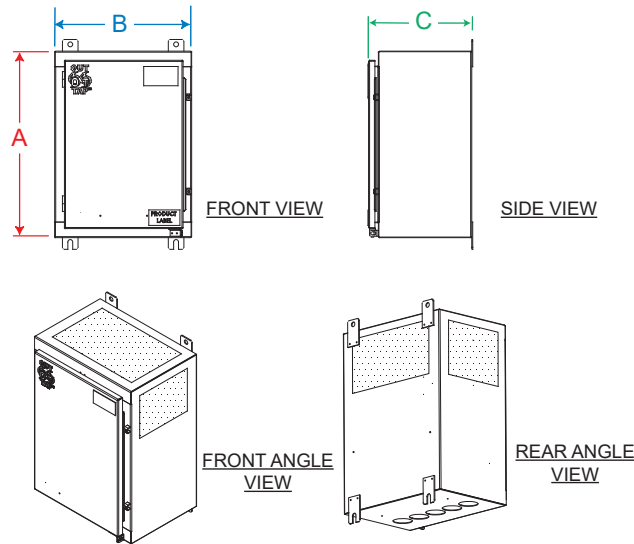
400 - 1600A, up to 600VAC  
Series: 3800

## Features



- Solution for temporary remote connection of a facility's permanent generator to a load bank
- Type 3R double coated, cold-rolled steel enclosure with gray powdercoat RAL 7035 (stainless steel & additional colors optional)
- Color-coded cam style female outlets
- Hinged, padlockable access door & dead front panel for safe cam connection and operation
- Hinged access plate secures cable entry compartment when not in use
- Optional dead switch on door for customer's use to activate up stream breaker
- Wall mountable; leg kits optional

## Drawing



Dim	400A	800A	1200/1600A
A	24"	32"	38"
B	17.6"	34"	39"
C	13.1"	15"	16.5"
Approx. lbs.	123	171	239

*Note: Dimensions and weights are subject to change. Please verify with factory.*

Available incoming conduit entry locations shown shaded.

## Approvals

- UL/cUL 891 Listed assembly
- UL 1691 Listed receptacles

# Specifications

**UL 891 Listed**

## OutTap Distribution Unit Series: 3800

### Ordering Information & Options

System Voltage	120/240 (2-Phases + Neutral + Ground) 208Y/120 (3-Phases + Neutral + Ground) 208 (3-Phases + Ground) (no Neutral) 240 Delta (3-Phases + Ground) (no Neutral) 240/120 Delta (3-Phases + Neutral + Ground) (High Leg) 480 Delta (3-Phases + Ground) (no Neutral) 480Y/277 (3-Phases + Neutral + Ground)
Assembly Rating	22kAic at 240VAC & 480VAC with Circuit Breakers (10kA with Switches)
Terminals	Load terminals: 1/2-13 x 1 1/4" Stud Ground lug: #6 - 250kcmil Other options available
Enclosure Material	Double coated, cold-rolled steel, 304SS, 316SS
Environmental Rating	3R (standard), 3RX
Enclosure Color	RAL-7035 - Wrinkle Light Gray (standard) RAL-1015 - Wrinkle Light Ivory RAL-1023 - Wrinkle Traffic Yellow RAL-2004 - Wrinkle Pure Orange RAL-3020 - Wrinkle Traffic Red RAL-5002 - Wrinkle Ultramarine Blue RAL-6024 - Wrinkle Traffic Green RAL-7004 - Wrinkle Signal Gray RAL-7038 - Wrinkle Agate Gray RAL-8017 - Wrinkle Chocolate Brown RAL-9003 - Wrinkle Signal White RAL-9005 - Wrinkle Jet Black
Optional Accessories	Pilot Light - Primary Source (Red) Pilot Light - Primary Source (Green) Remote Start 4 Point TB Surge Protection Device (SPD) Heater/Thermostat/De-Humidistat Receptacle - 20A, 120V Duplex Receptacle - 20A, 120V GFCI Duplex Receptacle - 20A, 120V Twist Lock Receptacle - 30A, 120V Twist Lock Receptacle - 20A, 120V Straight Blade Other options available
Optional Extended Depth Enclosure	Extended Depth (8") for bottom conduit entry