

OutTap™ Distribution Unit with Breaker

UL 891 Listed

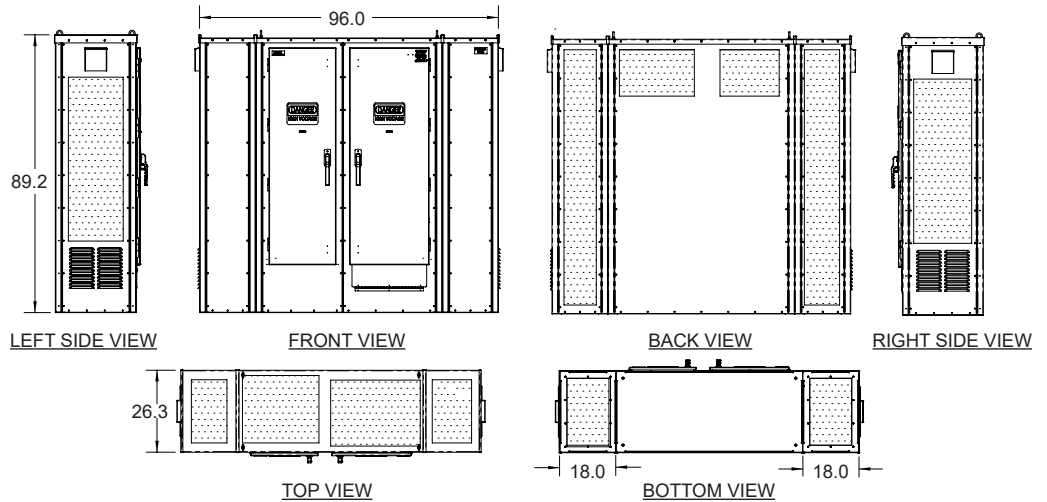
3000A, up to 480VAC
Series: 3832

Features



- Solution for temporary remote connection of a facility's permanent generator to a load bank
- 3-Pole Circuit breaker disconnect prevents energizing of cams unless door is closed
- Type 3R heavy gauge galv. steel enclosure with gray powdercoat RAL 7035 (stainless steel & additional colors optional)
- Color-coded cam style female outlets
- Door & deadfront panel for safe circuit breaker operation
- Safety-interlocked lower dead front for safe cable connection
- Hinged access plate secures cable entry compartment when not in use
- Dual side wireway extension for bottom conduit entry (can be omitted for other conduit entry/exit locations)

Drawing



Available incoming conduit entry locations shown shaded

Approvals

- UL/cUL 891 Listed assembly
- UL 1691 Listed receptacles
- UL 489 Listed / CSA certified molded case circuit breaker

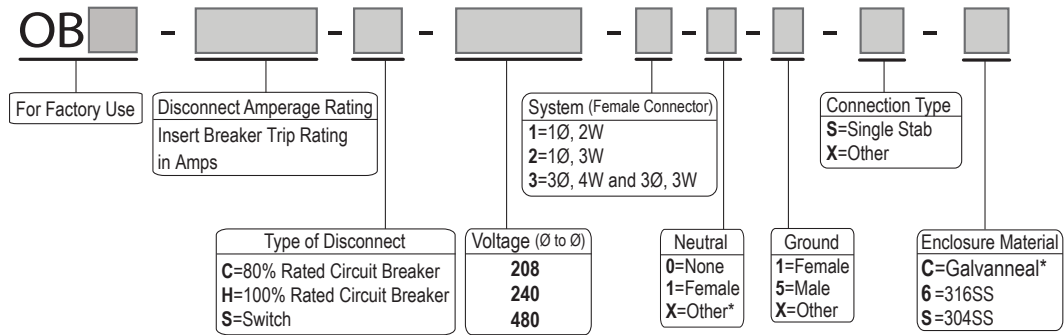
Specifications

UL 891 Listed

OutTap Distribution Unit with Breaker
Series: 3832

Ordering Information

Example: OB32 - 3000C - 480 - 311 - S - C



Contact factory for additional options

*Galvanneal is standard enclosure material.

Ratings

Short circuit rating (breaker)	50kAIC @ 208VAC to 480VAC
Withstand rating (switch)	10kA @ 208VAC to 480VAC
Cam-style receptacles	(8) Sets of 400A, 600VAC for phase & neutral (3) 400A, 600VAC for ground
Terminals	Disconnect line terminals: (8) 300 - 800kcmil per phase/neutral Load terminals: (8) 300 - 800kcmil per phase/neutral Ground lug: (8) #2 - 600kcmil Other options available
Environmental	Type 3R, gasketed (Type 3RX with 304SS or 316SS option)

Packaging

Approximate product weight	1,600 lbs.
Approximate shipping weight	1,680 lbs.