

Portable MIL-C-24368/2 Pass-Through Extension Box

500A 500VAC

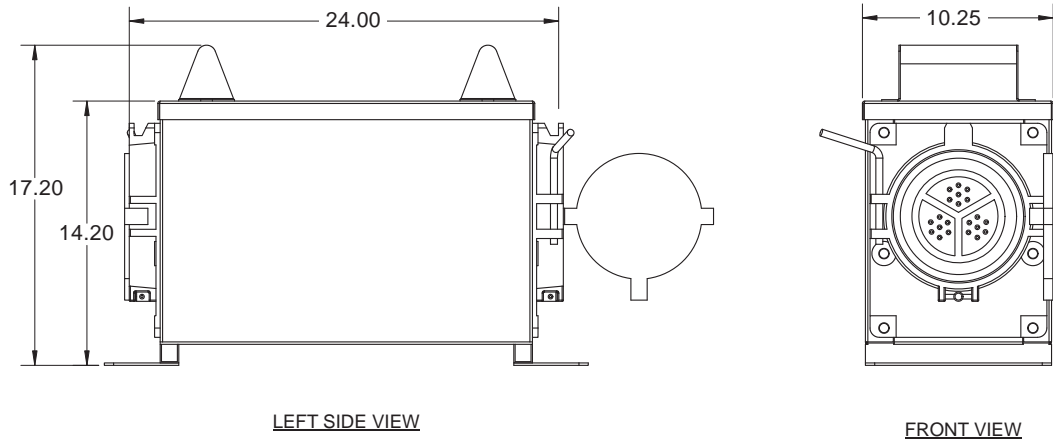
Catalog No: E2-500-500-520005A
Item No: 5200-05A

Features



- Type 4X 12GA 304 stainless steel, powder-coated enclosure
- (2) 500A 500VAC ESL MIL-C-24368/2 interconnected shore power receptacles factory potted to 500 MCM flex cable
- Equipped with removable top cover, lifting handles and mounting tabs
- Used for connecting (2) shore power cables together for extended lengths

Drawing



Approvals

- MIL-C / Navy approved
- QPL 24368 listed 500A receptacles