

Commercial Shore Power Pad Mount Assembly Box

640A 7.2kV 3PH 3W

Series: 5200-29

Features



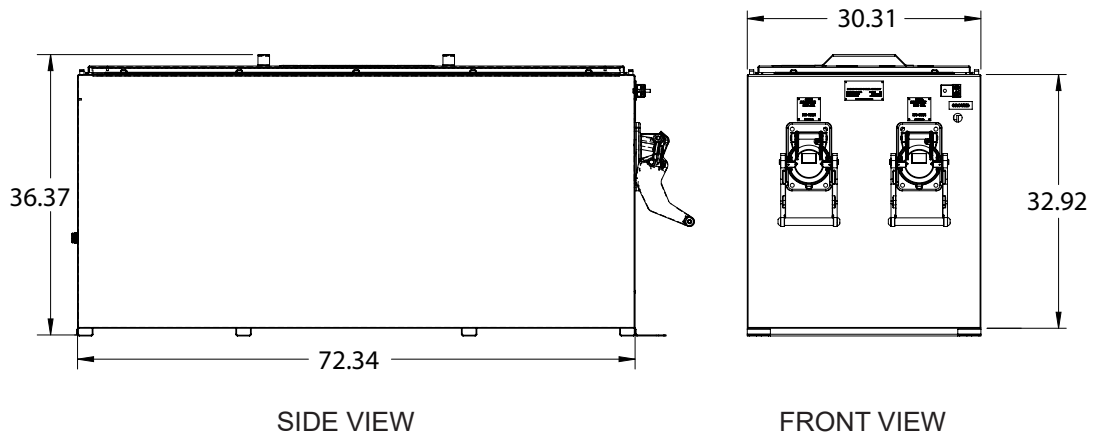
BASE UNIT

- (2) 320A, 7.2kV Proconnect Shore Power Receptacles
- 12GA, 304 stainless steel enclosure, type 4X, powder coated texture gray (RAL 7038)
- External Ground
- Unit requires incoming feeder cables to be terminated (crimped) to receptacle lugs
- Clamped, grounded, removable top

AVAILABLE OPTIONS

- Earthing switch
- External fiber optic box
- Kirk locks/keys on receptacles
- Kirk key transfer box
- Internal bus for incoming feeders, factory wired from bus to receptacle
- Heater
- Thermostat
- De-humidistat
- Fiber Optic box

Drawing



Approvals

- NRTL Labeled