

## 2-Gang MIL-C Shore Power Assembly

500A 480VAC

Catalog No: E2-R500-480-400-10XMILC

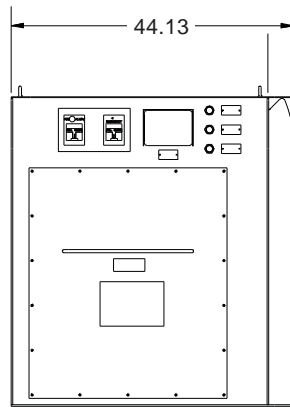
Item No: 5200-55A

### Features

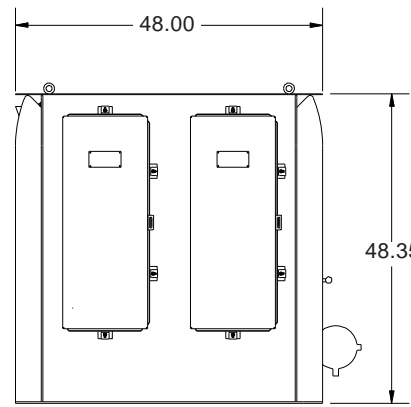


- 1/4" thick 304 stainless steel, powder coated enclosure
- (2) 500A 500VAC ESL MIL-C-24368/2 safety-interlocked modules with integral 400A circuit breakers
  - LED indicators for "power available" and "receptacle energized"
  - Emergency-stop push button on modules
- Fire alarm and emergency pull box
- Speaker box with call button
- (2) Type 4X communications cabinets
- Industrial receptacles with circuit breaker protection
  - 50A 208VAC
  - 30A 208VAC
  - 20A GFCI

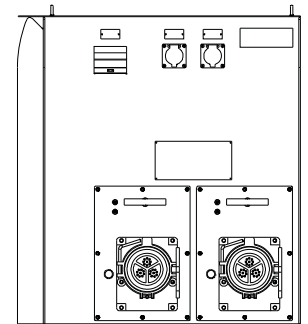
### Drawing



LEFT SIDE VIEW



FRONT VIEW



RIGHT SIDE VIEW

### Approvals

- MIL-C / Navy approved
- QPL 24368 listed 500A receptacles
- UL Listed 50A, 30A & 20A receptacles