

# eTRUconnect® V2 PS Series (Daisy-chain Capable) TRU Docking Station

## Features

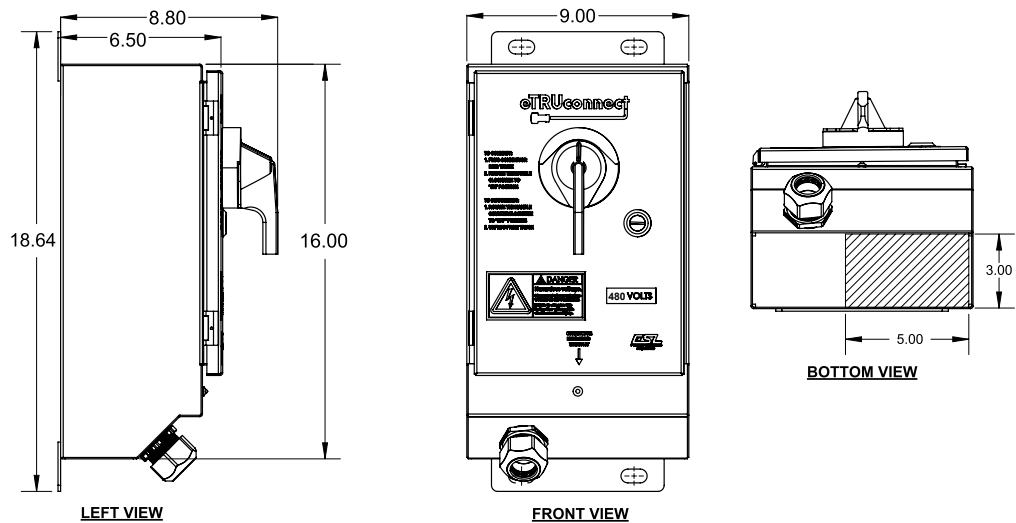
32A 480VAC 3PH 3W + G  
Cat: ETRU2-1-PS-32-480-30-35-G-BD-L\*  
Item No: 6002-005-L\*



\* Cord length in feet (5 foot increments)  
replaces "L" in the catalog number.

- UL Listed 1-gang power station for energizing refrigerated truck/trailers, complete with safety-interlocked door and custom length power cord (5' increments)
- UL Listed 30A 3P circuit breaker rated 35kAIC @ 480VAC provides short circuit & overcurrent protection
- Cord includes female connector with integral sensor to prove loop is complete before cord can be energized; system "trips" if proving loop is broken (unplugged, cut cord, drive-off, etc.)
- Cord has break-away provisions enabling a technician to re-connect cord after unintentional "drive-off" while still plugged in
- Ultra-bright Red LED indicates female connector is energized
- Type 3R enclosure manufactured from 16GA seam-welded steel (powder-coated texture light green)
- Compact footprint for installation in tight spaces between dock doors
- Factory wired complete to power distribution block for customer's 480VAC power connection
- Capable of daisy chaining (max wire size 2AWG)

## Drawing



## Approvals

- UL Listed

## Specifications

Catalog No: ETRU2-1-PS-32-480-32-35-G-BD-L\*

Item No: 6002-005-L\*

### Ratings

Female connector	32A 480VAC, 3 phase, 3 wire + ground (3hr per IEC 60309-1)
Power cord	600V, 10 gauge, 6 conductor SOOW heavy-duty black cord
Circuit breaker	3P molded case 30A trip, 35kAIC @ 480VAC with UVR, other trip and AIC ratings available - contact factory
Environmental	Type 3R
Terminal blocks	Installer wires to power distribution block: (3) phase & (1) ground pressure type screw terminals: #14 - #2 AWG (2.5-35mm <sup>2</sup> ) wire range

### Materials

Steel	Enclosure, access door
Polyamide	Female connector body, lock ring, cover
Phenolic	Female connector contact carrier
Brass	Female connector contact sleeves
Buna-N (Nitrile/NBR)	O-rings, gaskets

### Packaging

Approx. weight	25 lbs.
Approx. shipping weight	35 lbs.
Shipping dimensions	15in x 16in x 6.5in

### Options

Pole mount hardware kit for 3" or 4" diameter pipe	Pad mount stand
Auxiliary contact	Cord Hanging Post
LED signal light	

### Replacement Parts

Description	Item No.	Description	Item No.
Red LED kit	4090-40RH	Operating mechanism	4065-005
Cord w/female connector	4065-012-L*	Handle	4065-006
Breaker w/ UV	4065-003	Transformer	4065-007
Shaft	4065-004		

\*Cord length in feet (5 foot increments) replaces "L" in the item number.