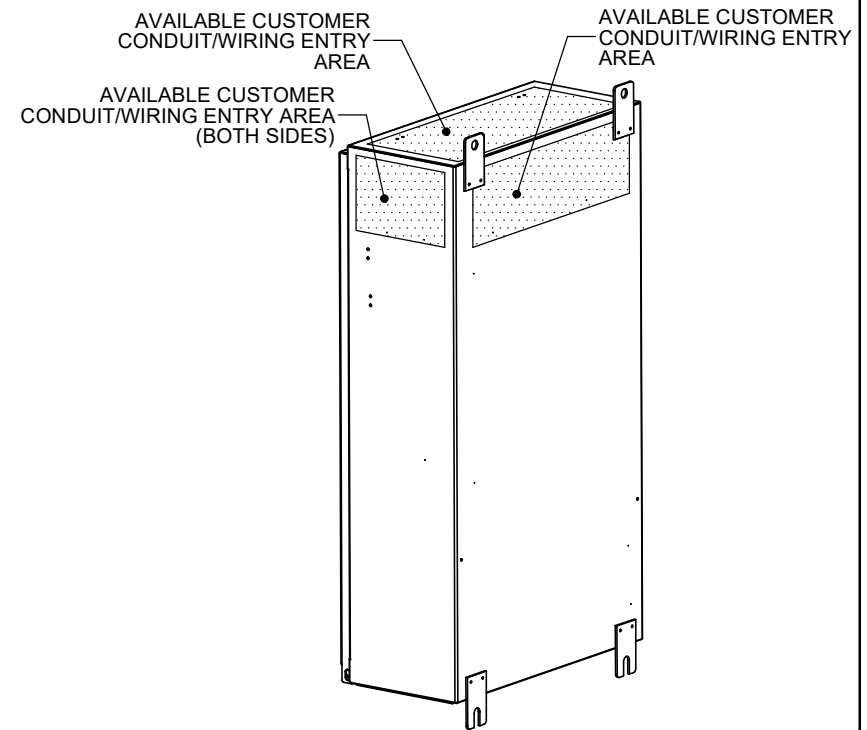
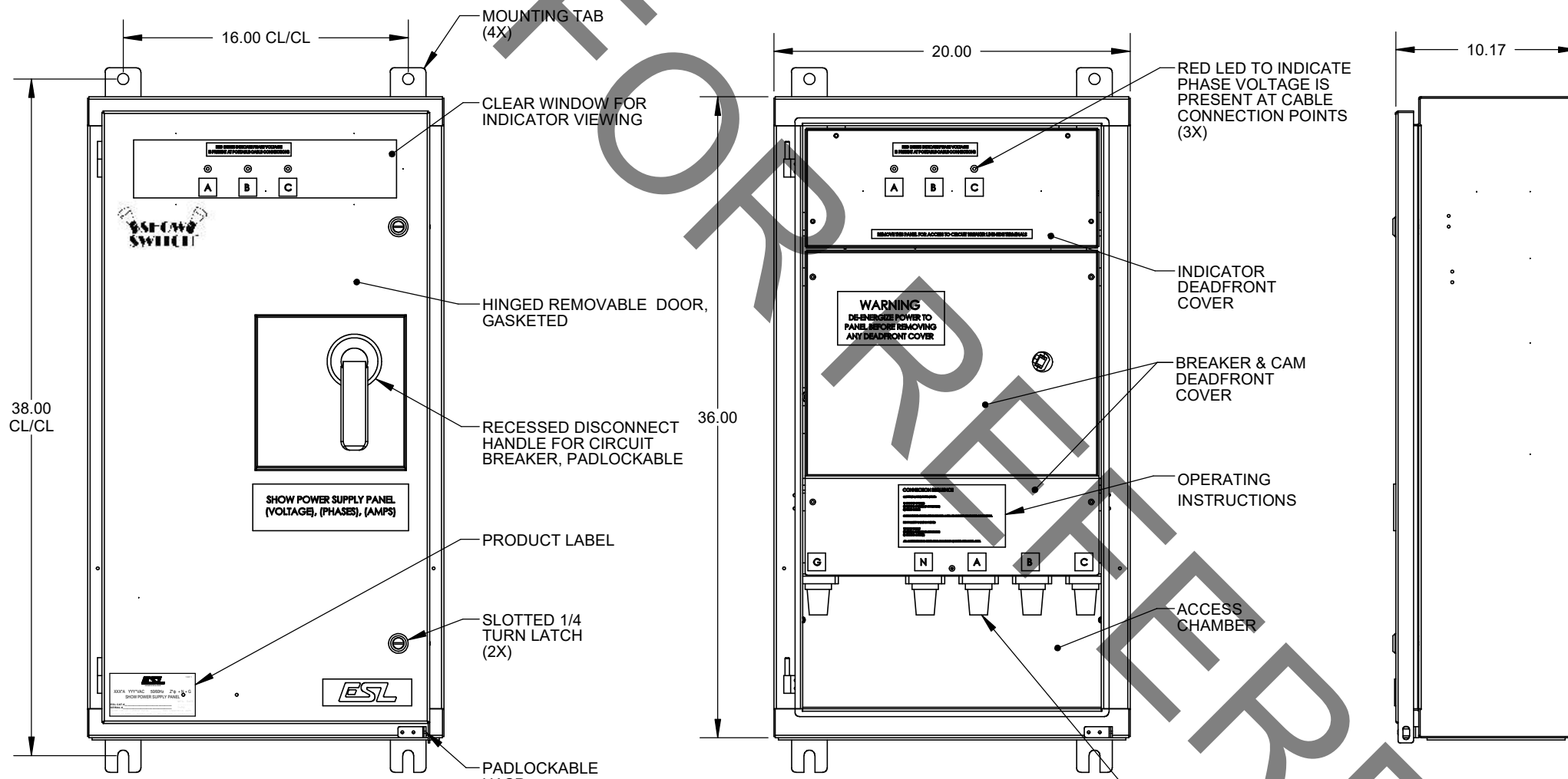


THIS DOCUMENT AND THE DATA DISCLOSED HEREIN OR WHEREWITH IS NOT TO BE REPRODUCED. USED OR DISCLOSED IN WHOLE OR IN PART TO ANYONE WITHOUT THE PERMISSION OF ESL.

NOTES:

1. COMPLETE ASSEMBLY IS UL LISTED UL891.
2. FINISH: POWDER COATED SERIES W49.
3. OPTIONAL PLUG KITS AVAILABLE
4. FOAM SEAL INSIDE OF ALL CONDUIT ENTRIES.



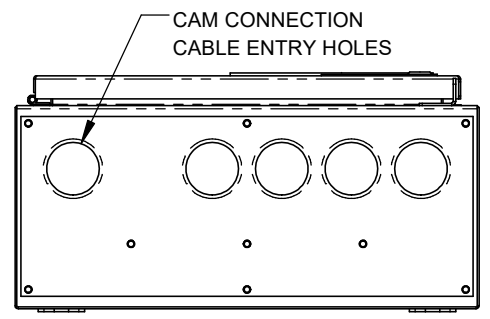
AVAILABLE CONDUIT ENTRY LOCATIONS

(INSTALLER SHALL PUNCH CONDUIT ENTRY HOLES AND FURNISH/INSTALL CONDUIT HUBS AS REQUIRED)

FRONT VIEW

FRONT VIEW - DOOR REMOVED

SIDE VIEW



BOTTOM VIEW

TABLE OF KAIC RATINGS

| VOLTAGE | SHORT CIRCUIT RATING |
|------------|----------------------|
| 208/120VAC | 65kAIC |
| 480/277VAC | 35kAIC |

TABLE OF TYPE RATINGS

| TYPE | COLOR |
|---------|---------------|
| TYPE 1 | WRINKLE BLACK |
| TYPE 3R | WRINKLE GRAY |

TABLE OF SERIES RATINGS

| SERIES | AMPERAGE RANGE |
|--------|----------------|
| CS13 | 60A-100A |
| CS23 | 101A-200A |
| CS43 | 201A-400A |

SINGLE-POLE 400A FEMALE CAM LOCK STYLE PANEL MOUNT RECEPTACLE (PH A = BLK, PH B = RED, PH C = BLUE) (GND = GRN, N = WHT, PHA = BLK, PH B= RED, PH C = BLUE) (OTHER OPTIONS AVAILABLE APOON REQUEST)

ESL POWER SYSTEMS **UL** 4PC5 LISTED 1 OF 1

60-400A 50/60Hz 3φ + N + G THEATER SWITCHBOARD

ESL CAT.# CSX3-SERIES SERIAL # _____ MFG. DATE: _____ TYPE: XXX

SHORT CIRCUIT CURRENT RATING: XX,000 RMS SYMMETRICAL AMPS
Corona, CA <> (800)922-4188 <> (951)739-7000 <> info@eslpwr.com

WEIGHT: 123 Lbs.

| | |
|---------------|----------|
| MATERIAL: | GALV |
| THICKNESS: | 14 GAUGE |
| COLOR/FINISH: | XXX |
| REFERENCE: | 1102-06 |

ESL POWER SYSTEMS, INC.
CORONA, CALIFORNIA
(951) 739-7000 (800) 922-4188
eslpwr.com - info@eslpwr.com

| | |
|---------------------|-------------|
| 60A-400A SHOWSWITCH | |
| PART NUMBER | 33X3-SERIES |
| SHEET | 1 OF 1 |

MODEL: 33X3-SERIES

| | | |
|------|----|----------|
| 0 | EH | 11/18/21 |
| REV. | BY | DATE |

FOR REFERENCE DESCRIPTION