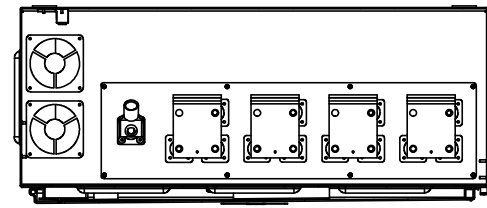


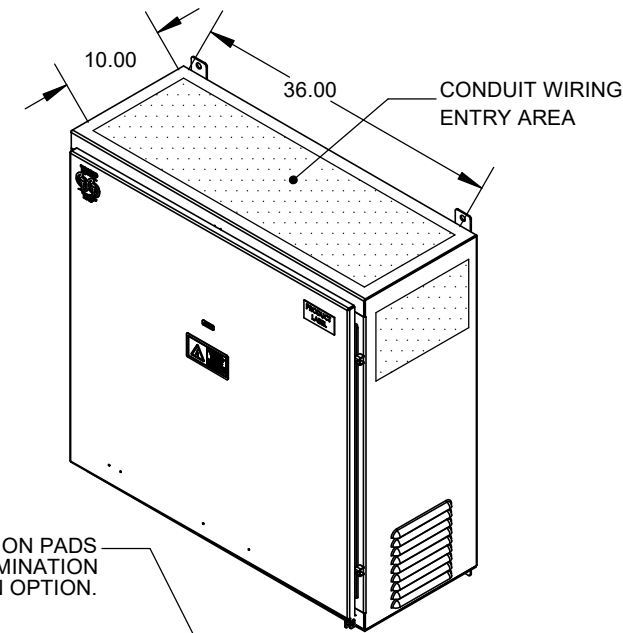
THIS DOCUMENT AND THE DATA DISCLOSED HEREIN OR WHEREWITH IS NOT TO BE REPRODUCED, USED OR DISCLOSED IN WHOLE OR IN PART TO ANYONE WITHOUT THE PERMISSION OF ESL.

NOTES:

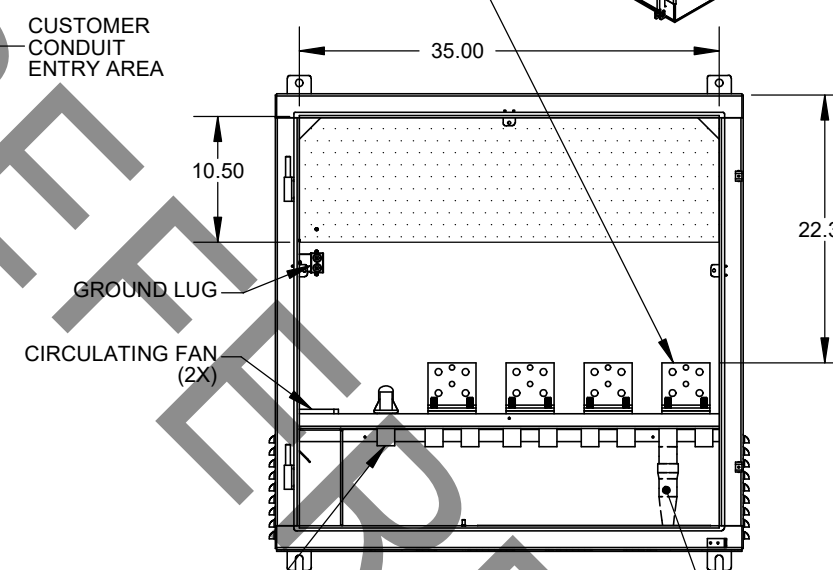
1. FINISH POWDER COAT SERIES W49. SEE TITLE BLOCK FOR COLOR.
2. TYPE 3R CONSTRUCTION.
3. OPTIONAL PLUG KITS AVAILABLE
4. FOAM SEAL INSIDE OF ALL CONDUIT ENTRIES



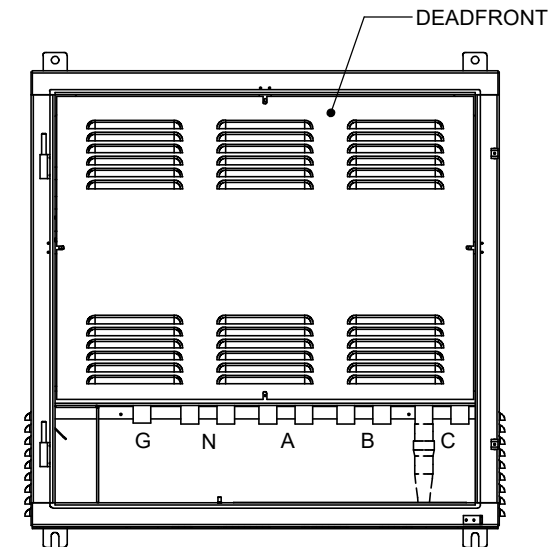
SECTION C-C



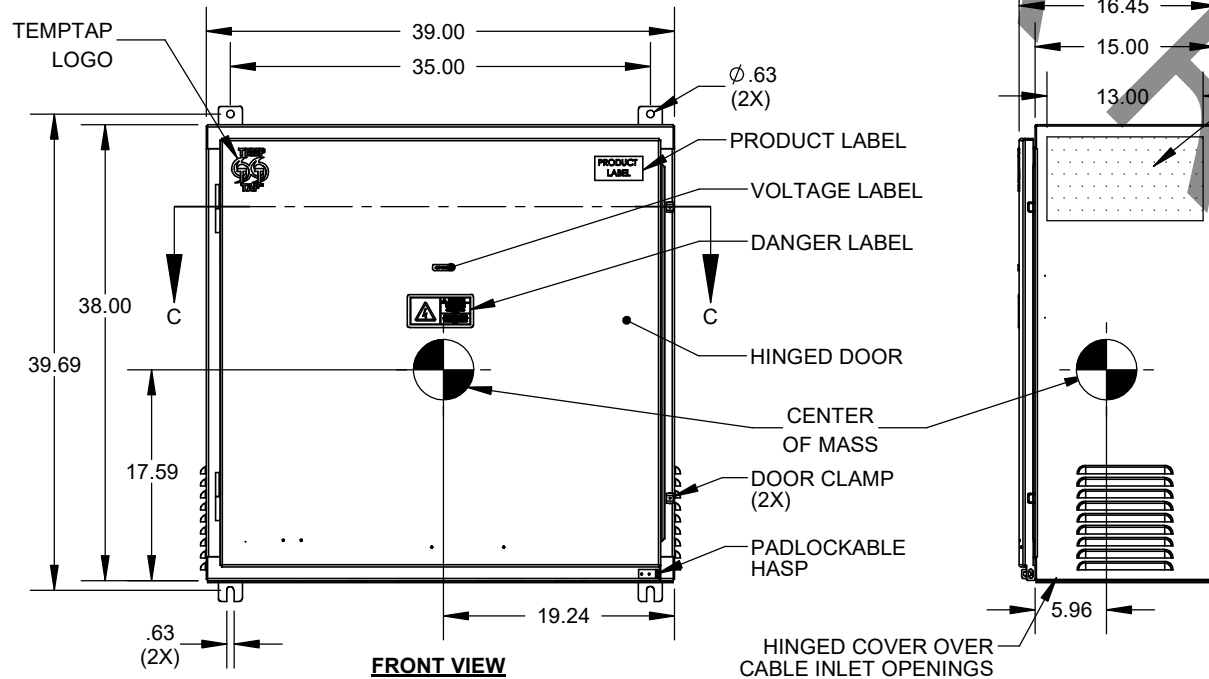
COPPER CONNECTION PADS PROVIDED. WIRE TERMINATION LUGS AVAILABLE AS AN OPTION.



FRONT VIEW (DOOR AND DEADFRONT NOT SHOWN)

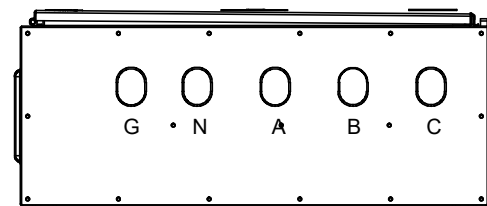


FRONT VIEW (DOOR NOT SHOWN)



FRONT VIEW

SIDE VIEW (WIRE ACCESS DOOR SHOWN CLOSED)



BOTTOM VIEW (WIRE ACCESS DOOR SHOWN CLOSED)

400A, 600V RATED SINGLE STAB MALE CONNECTORS COLOR CODED: PER VOLTAGE

FEMALE PLUG SHOWN FOR ILLUSTRATION PURPOSES ONLY. SOLD SEPARATELY



801-1200A 50/60Hz 3 ϕ + N + G
TRANSFER SWITCH ACCESSORY
CAM-STYLE INLET BOX

ITEM # 3612-SERIES
SERIAL # _____
MFG. DATE: _____
TYPE: 3R

SHORT CIRCUIT WITHSTAND RATING: 42,000 RMS SYMMETRICAL AMPS
RESISTER NOMINAL DE COURT-CIRCUIT: 42,000 RMS SYMETRIQUES AMPERES
Corona, CA <> (800)922-4188 <> (951)739-7000 <> info@eslpwr.com

EST. WEIGHT: 246 Lbs.

MATERIAL:	GALV STEEL
THICKNESS:	12 GAUGE
COLOR:	WRINKLE GRAY (RAL 7035)
REFERENCE:	1190-16

ESL POWER SYSTEMS, INC.
CORONA, CALIFORNIA
(951) 739-7000 (800) 922-4188
eslpwr.com - info@eslpwr.com

801-1200A
SINGLE STAB
CAM-STYLE INLET BOX
3-PHASES + N + G

PART NUMBER
3612-SERIES

SHEET
1 OF 1

MODEL: 3612-SERIES

0	MAQ	02/01/2022
REV.	BY	DATE

FOR REFERENCE
DESCRIPTION