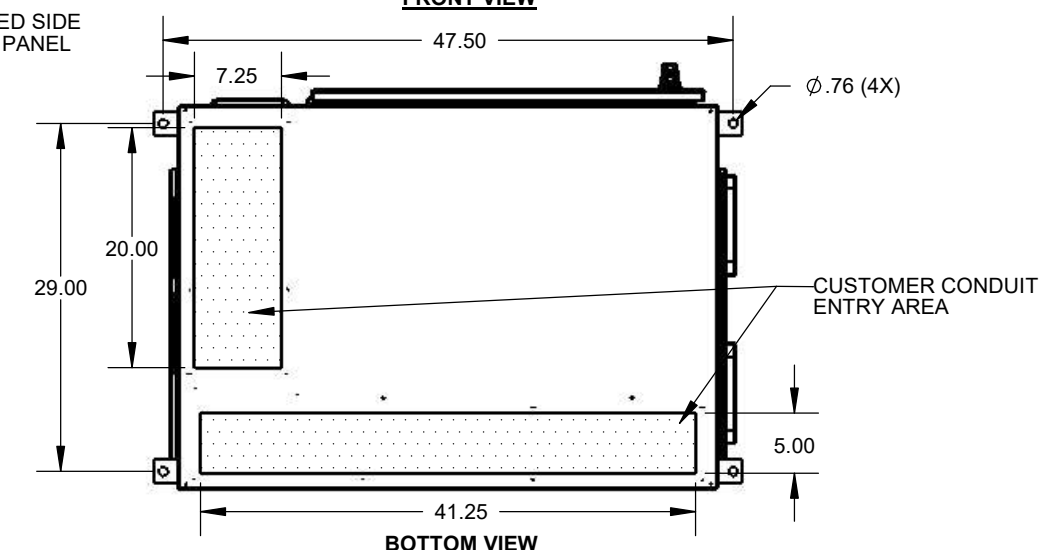
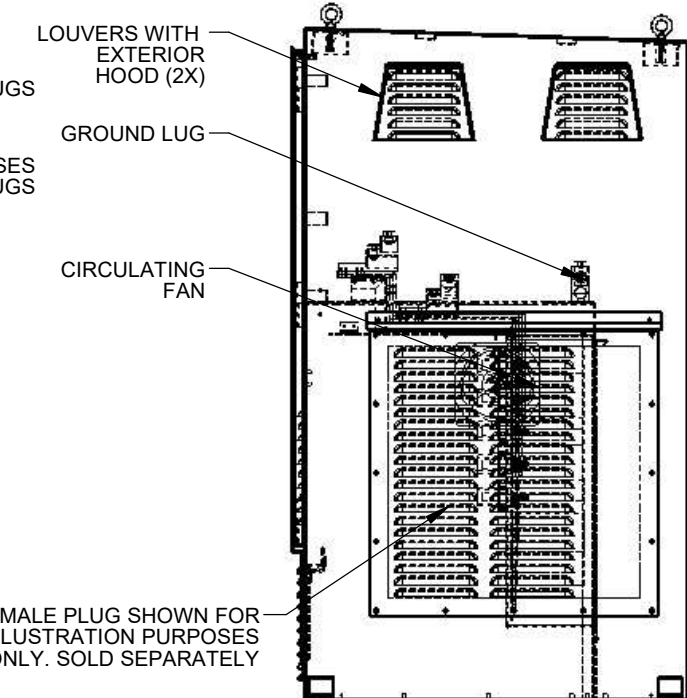
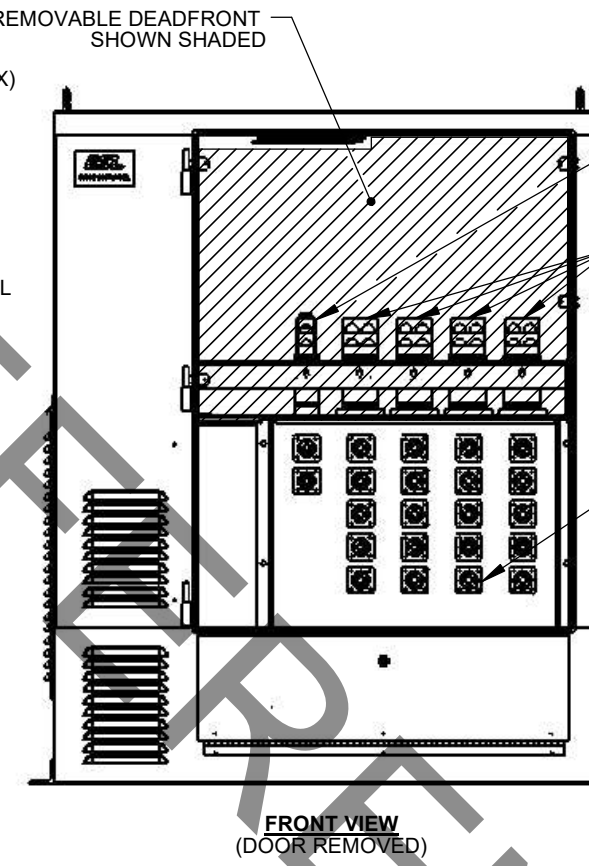
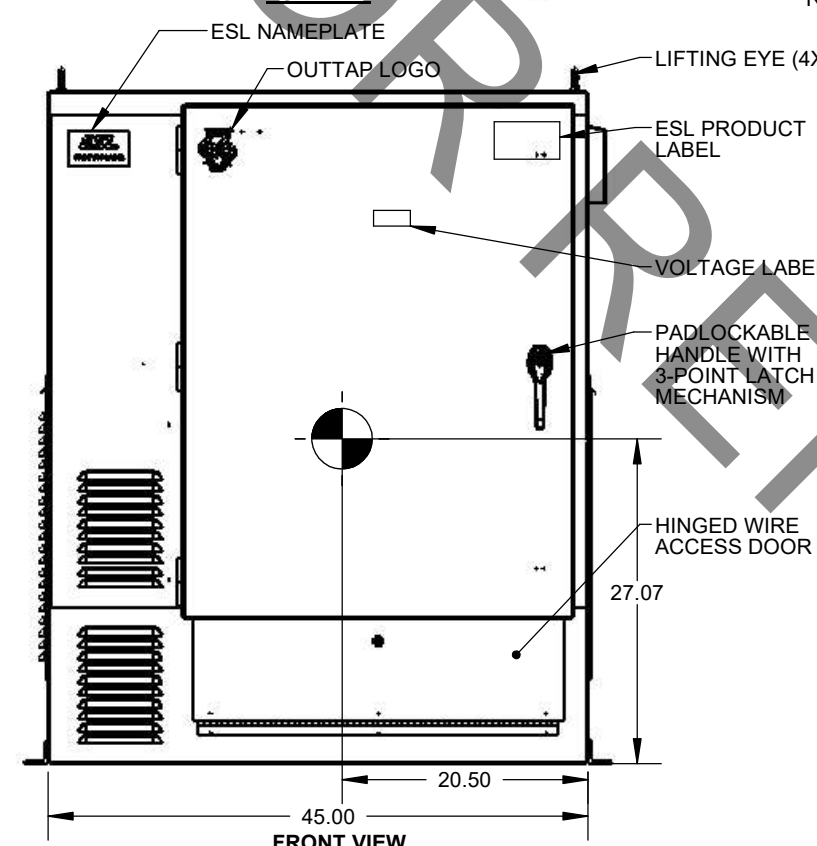
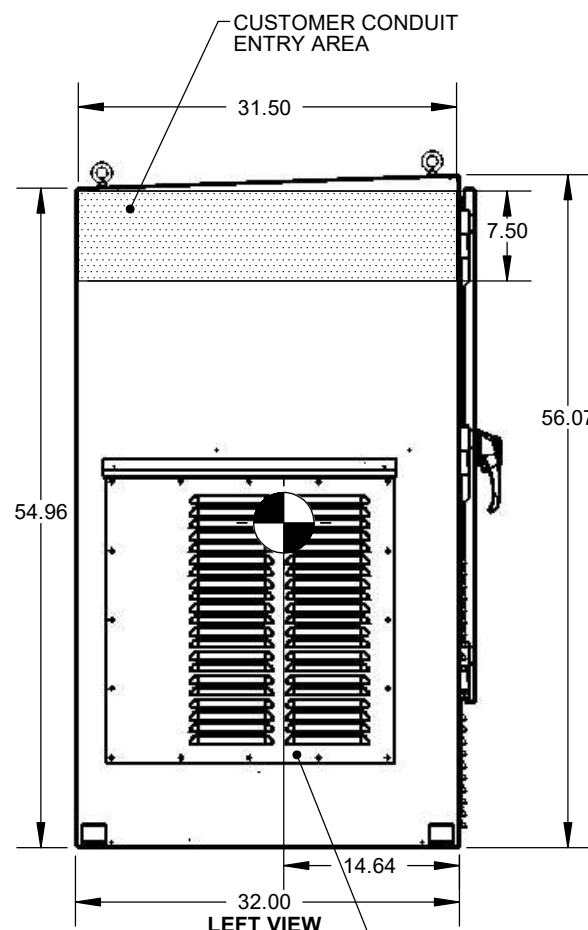
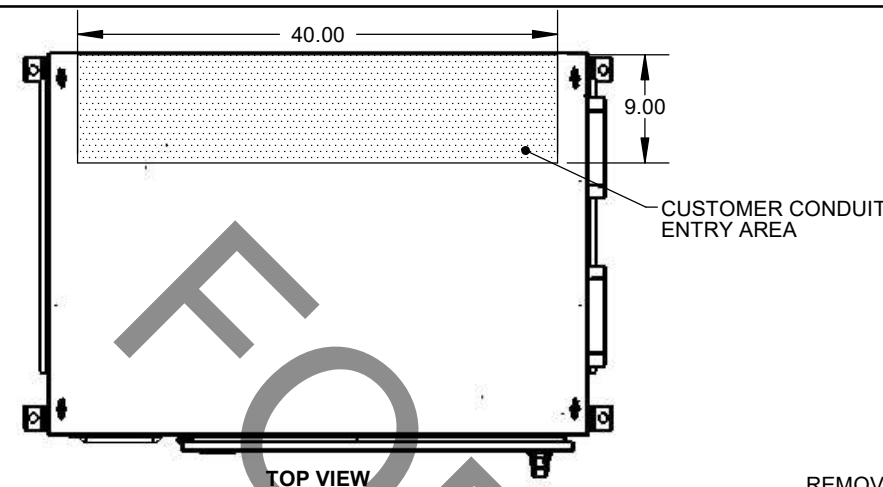
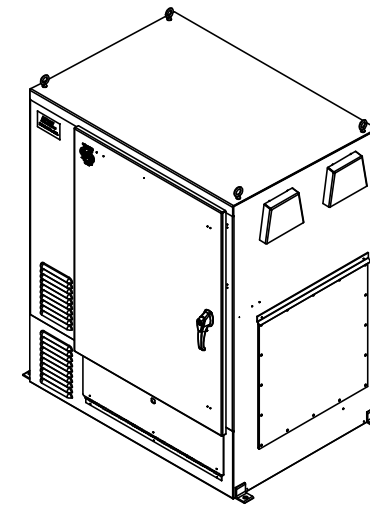


THIS DOCUMENT AND THE DATA DISCLOSED HEREIN OR WHEREWITH IS NOT TO BE REPRODUCED, USED OR DISCLOSED IN WHOLE OR IN PART TO ANYONE WITHOUT THE PERMISSION OF ESL.

NOTES:

1. FINISH POWDER COAT SERIES W49 PER ESL COATING SPECIFICATION 9910-03. SEE TITLE BLOCK FOR COLOR
2. TYPE 3R CONSTRUCTION
3. NOT FOR INDOOR USE
4. FOAM SEAL INSIDE OF ALL CONDUIT ENTRIES
5. OPTIONAL PLUG KITS AVAILABLE



UL 891 LISTED

ESL POWER SYSTEMS **UL** 4PC5
 C US LISTED
 OUTTAP 50/60Hz 3φ + N + G
 TRANSFER SWITCH ACCESSORY
 CAM-STYLE OUTLET BOX
 ITEM # 3822-SERIES SERIAL # TYPE:3R
 SHORT CIRCUIT WITHSTAND RATING: 42,000 RMS SYMMETRICAL AMPS
 RESISTER NOMINAL DE COURT-CIRCUIT: 42,000 RMS SYMETRIQUES AMPERES
 Corona, CA <-> (800)922-4188 <-> (951)739-7000 <-> info@eslpwr.com

EST. WEIGHT: 706 Lbs.

MATERIAL:	GALV STEEL
THICKNESS:	12 GAUGE
COLOR:	WRINKLE GRAY (RAL 7035)
REFERENCE:	1190-42

ESL POWER SYSTEMS, INC.
 CORONA, CALIFORNIA
 (951) 739-7000 (800) 922-4188
 eslpwr.com - info@eslpwr.com

1601-2000A
 SINGLE STAB CAM OUTLET BOX
 OUTTAP
 3 PHASES + N + G

0	MAQ	01/25/2022
REV.	BY	DATE

FOR REFERENCE
 DESCRIPTION

DRAWING NUMBER	3822-SERIES	SHEET	1 OF 1
----------------	-------------	-------	--------

MODEL: 3822-SERIES