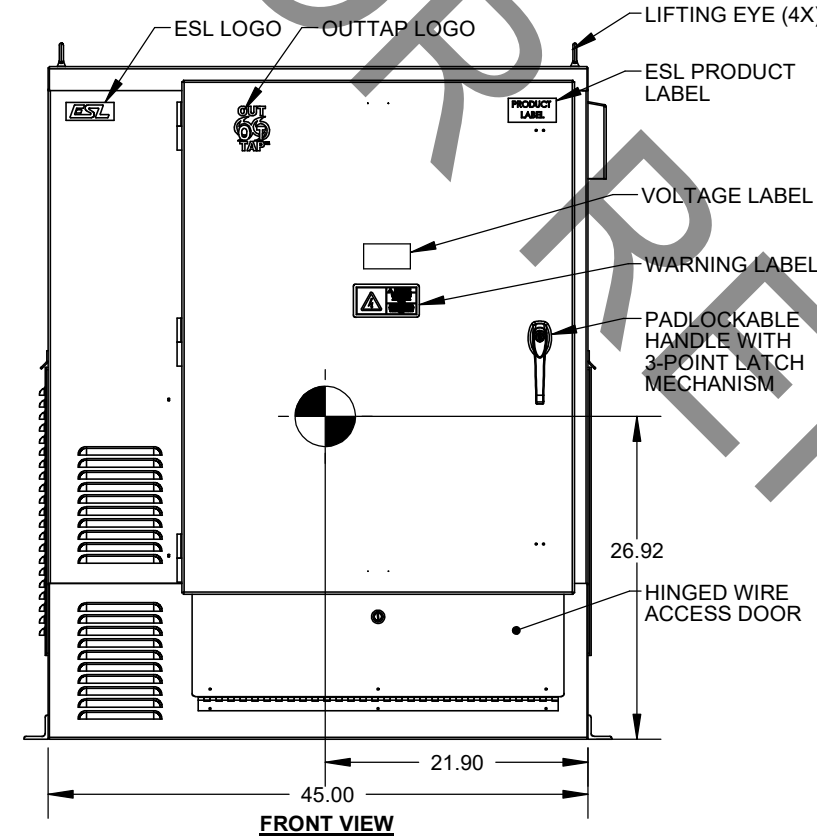
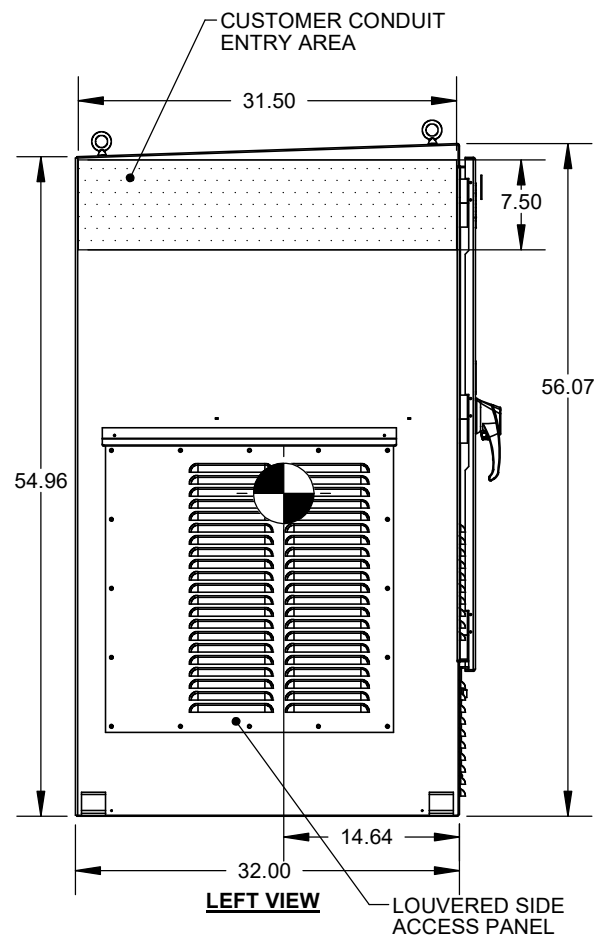
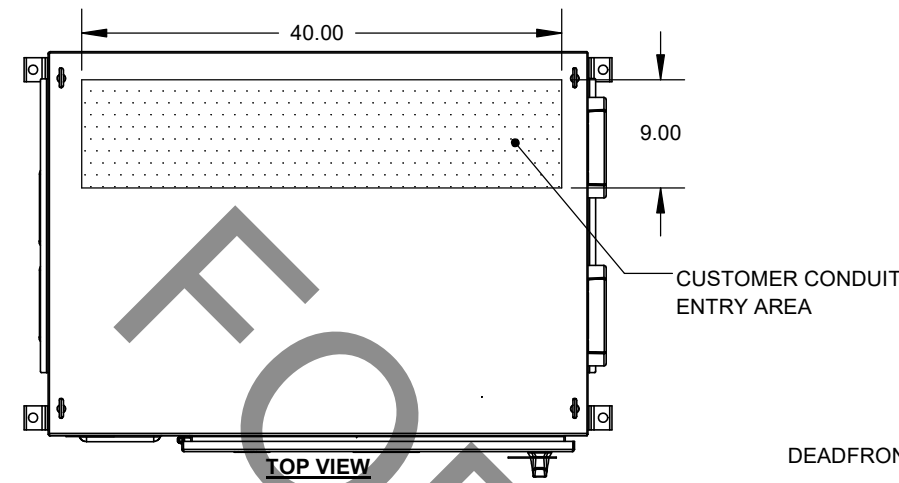
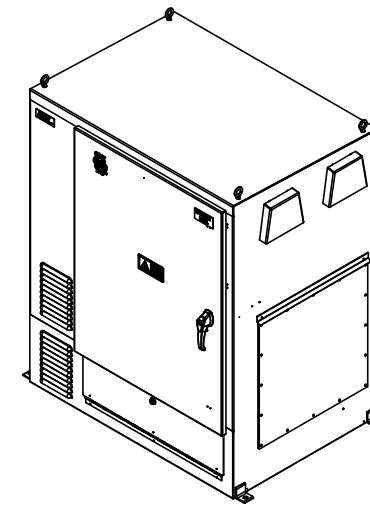


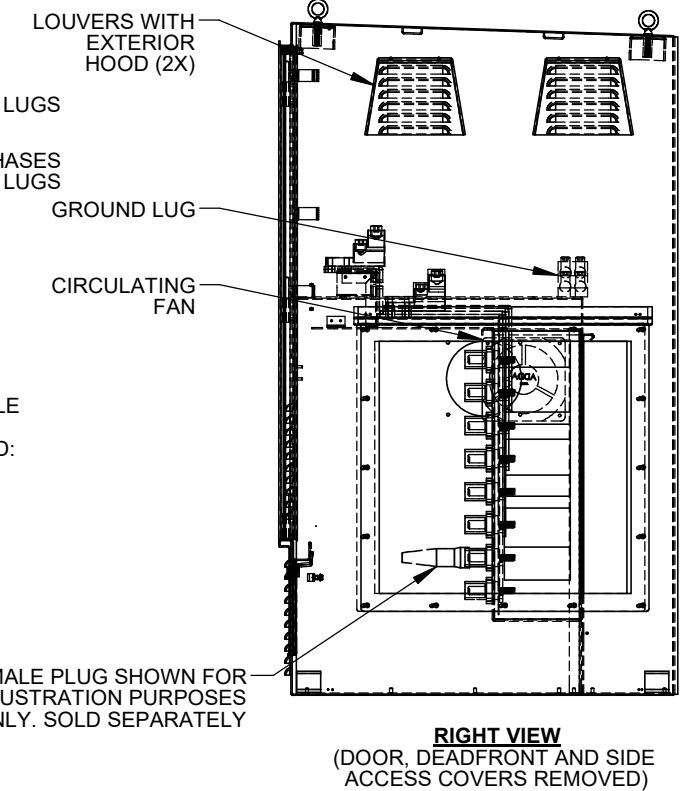
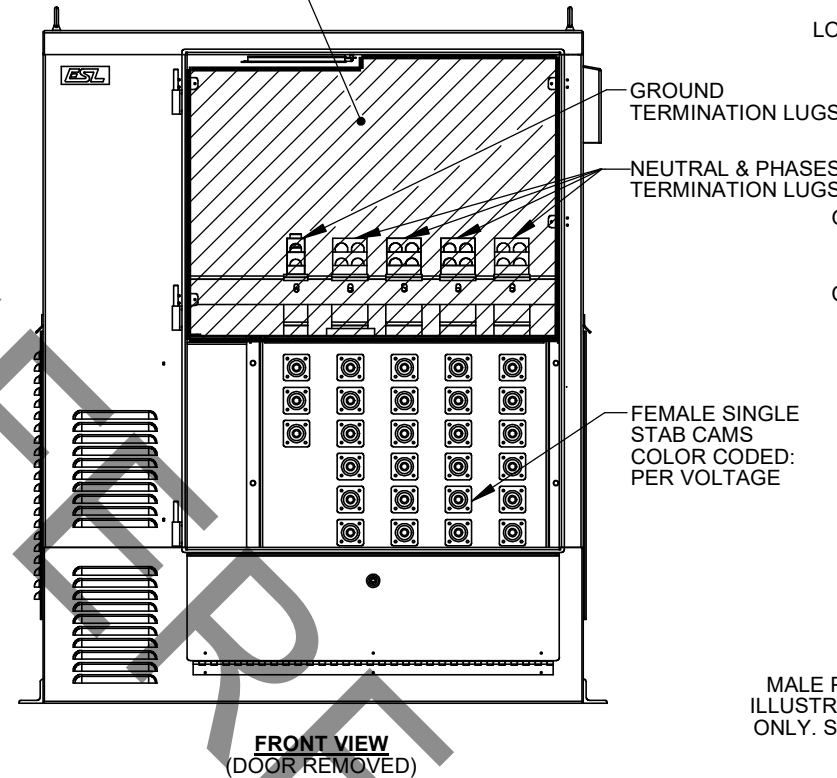
THIS DOCUMENT AND THE DATA DISCLOSED HEREIN OR WHEREWITH IS NOT TO BE REPRODUCED, USED OR DISCLOSED IN WHOLE OR IN PART TO ANYONE WITHOUT THE PERMISSION OF ESL.

NOTES:

1. FINISH POWDER COAT SERIES W49 PER ESL COATING SPECIFICATION 9910-03. SEE TITLE BLOCK FOR COLOR
2. TYPE 3R CONSTRUCTION
3. NOT FOR INDOOR USE
4. FOAM SEAL INSIDE OF ALL CONDUIT ENTRIES
5. OPTIONAL PLUG KITS AVAILABLE



DEADFRONT SHOWN SHADED



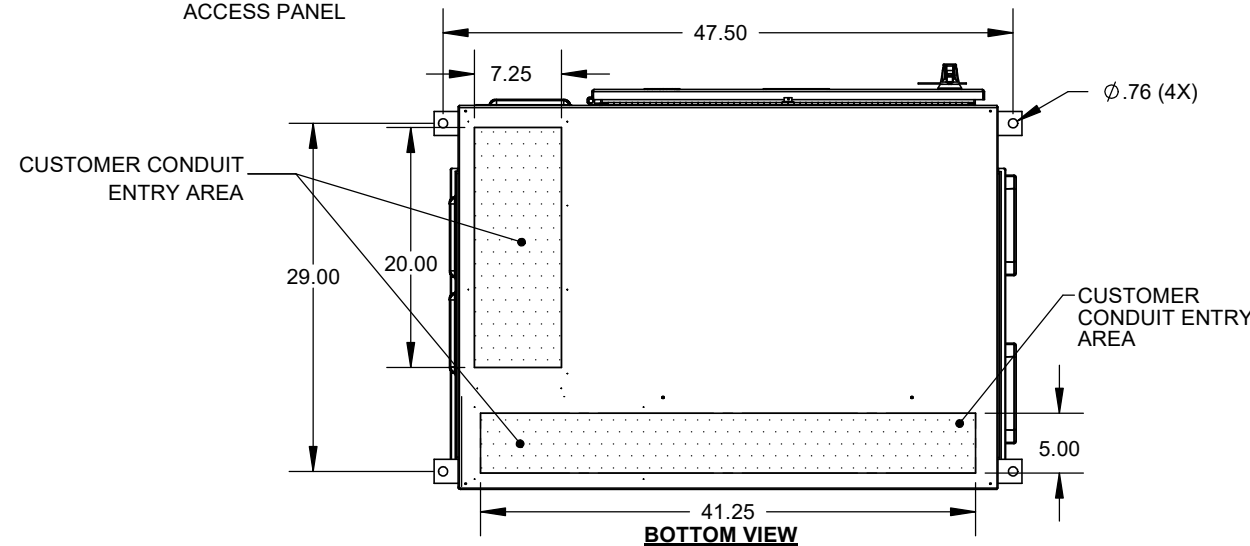
LOUVERED SIDE ACCESS PANEL

LEFT VIEW

FRONT VIEW

FRONT VIEW (DOOR REMOVED)

RIGHT VIEW (DOOR, DEADFRONT AND SIDE ACCESS COVERS REMOVED)



BOTTOM VIEW



UL 891 LISTED



2001-3200A 50/60Hz 3φ + N + G  
TRANSFER SWITCH ACCESSORY  
CAM-STYLE OUTLET BOX

ITEM # 3832-SERIES  
SERIAL # \_\_\_\_\_

MFG. DATE: \_\_\_\_\_

TYPE: 3R

SHORT CIRCUIT WITHSTAND RATING: 42,000 RMS SYMMETRICAL AMPS  
RESISTER NOMINAL DE COURT-CIRCUIT: 42,000 RMS SYMETRIQUES AMPERES  
Corona, CA <- (800)922-4188 <- (951)739-7000 <- info@eslpwr.com

EST. WEIGHT: 664 Lbs.

MATERIAL: GALVANNEALED STEEL  
THICKNESS: 12 GAUGE  
COLOR: WRINKLE GRAY (RAL 7035)

ESL POWER SYSTEMS, INC.  
CORONA, CALIFORNIA  
(951) 739-7000 (800) 922-4188  
eslpwr.com - info@eslpwr.com

SINGLE STAB CAM OUTLET BOX  
2001-3200A  
3 PHASES + N + G

REFERENCE: 1190-42

PATH

DRAWING NUMBER 3832-SERIES

SHEET 1 OF 1

MODEL: 3832-SERIES

0	MAQ	01/25/2022
REV.	BY	DATE

FOR REFERENCE DESCRIPTION