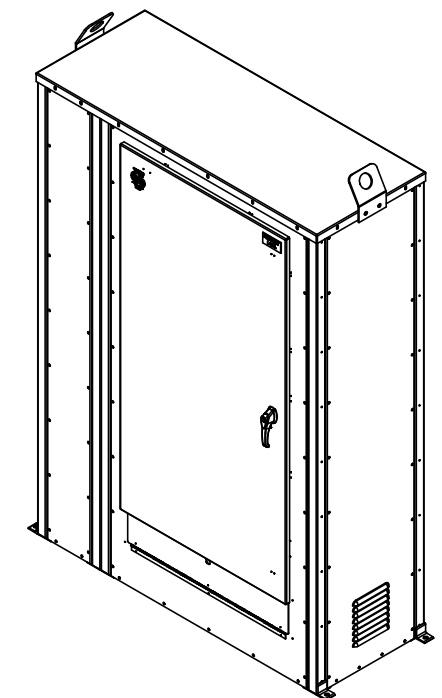
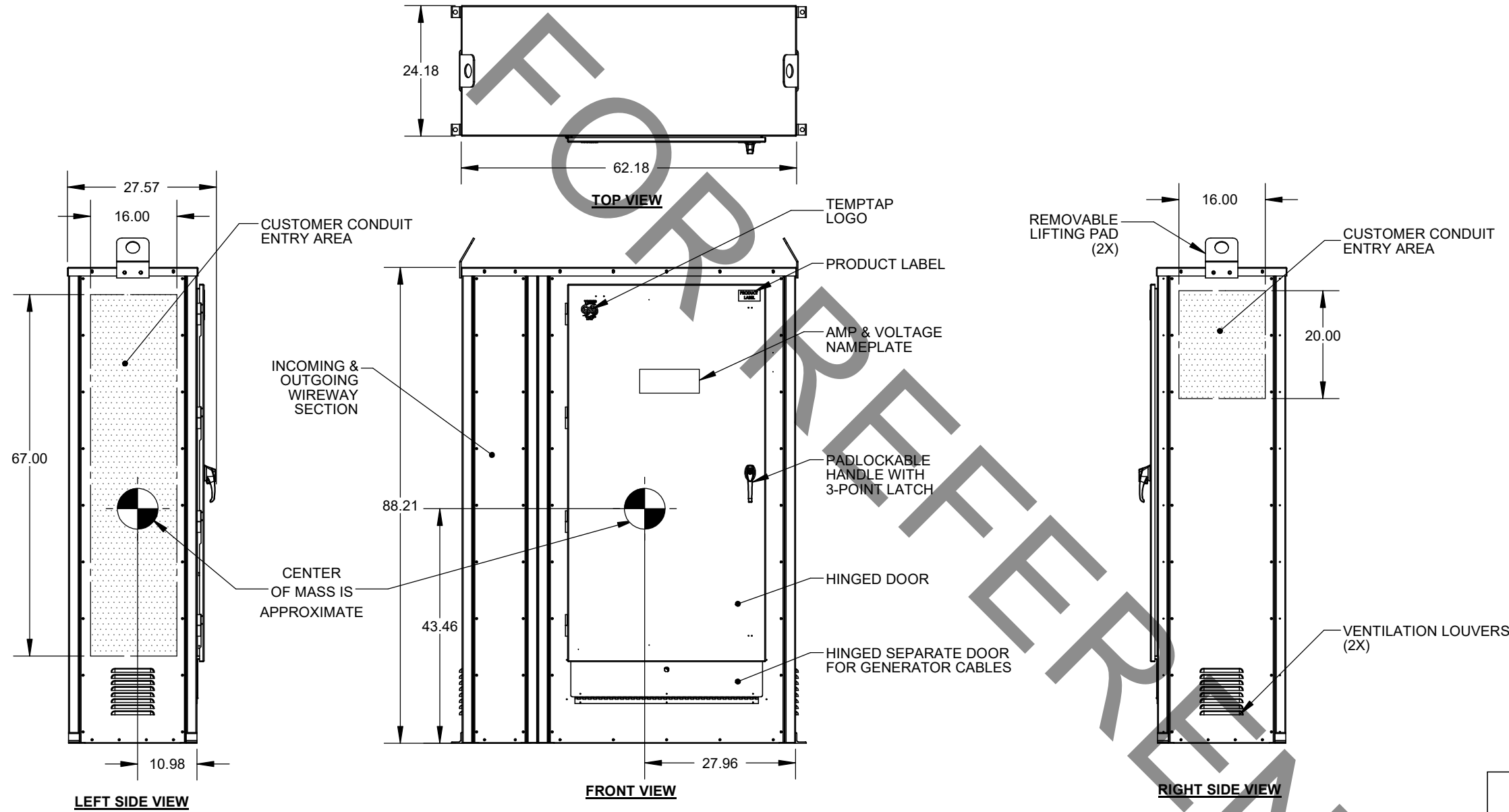


THIS DOCUMENT AND THE DATA DISCLOSED HEREIN OR WHEREWITH IS NOT TO BE REPRODUCED, USED OR DISCLOSED IN WHOLE OR IN PART TO ANYONE WITHOUT THE PERMISSION OF ESL.

NOTES:

1. FINISH POWDER COATED SERIES W49. SEE TITLE BLOCK FOR COLOR
2. STANDARD UNIT IS NON-SWITCHED NEUTRAL. FOR SWITCHED NEUTRAL PLEASE CONSULT FACTORY
3. TYPE 3R CONSTRUCTION
4. NOT FOR INDOOR USE



**801-1200A 50/60Hz 3 ϕ + N + G
TRANSFER SWITCH ACCESSORY
CAM-STYLE INLET BOX**

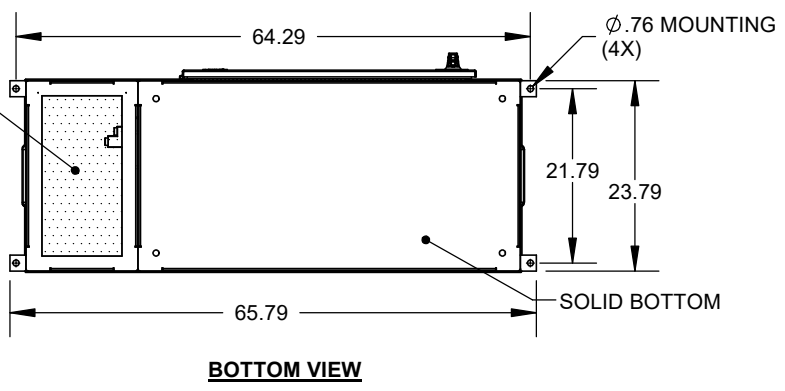
ITEM # 4612-SERIES SERIAL # _____

MFG. DATE: _____
TYPE: 3R

Corona, CA <> (800)922-4188 <> (951)739-7000 <> info@eslpwr.com

TABLE OF KAIC RATING

DISCONNECT SWITCH	SHORT CIRCUIT RATING
	10kA
CIRCUIT BREAKER	35KAIC@240VAC
	35KAIC@480VAC
	35KAIC@600VAC



MATERIAL:	GALV STEEL
THICKNESS:	12 GAUGE
COLOR/FINISH:	WRINKLE GRAY (RAL 7035)
REFERENCE:	1050-16J-ASSY

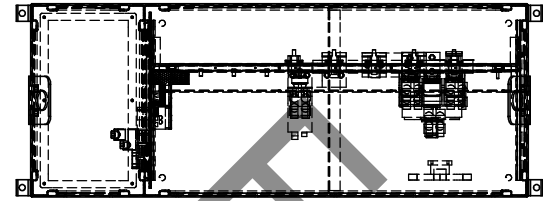
ESL POWER SYSTEMS, INC.
CORONA, CALIFORNIA
(951) 739-7000 (800) 922-4188
eslpwr.com - info@eslpwr.com

EST. WEIGHT: 1198 Lbs.	
801-1200A GENERATOR INLET BOX TEMPTAP W/ DISCONNECT 3 PHASES + N + G	
PART NUMBER 4612-SERIES	SHEET 1 OF 2

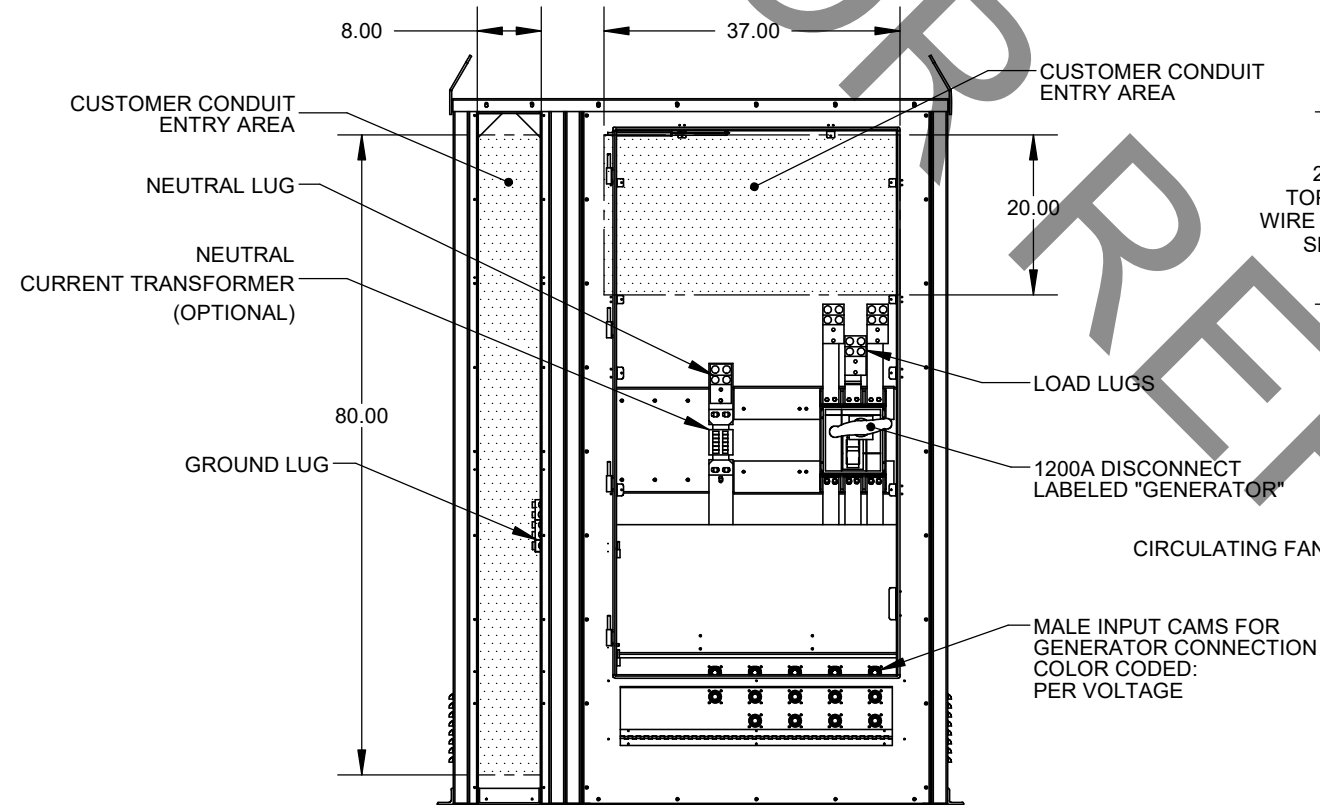
MODEL: 4612-SERIES

REV.	BY	DATE	FOR REFERENCE DESCRIPTION
0	MAQ	12/30/2021	

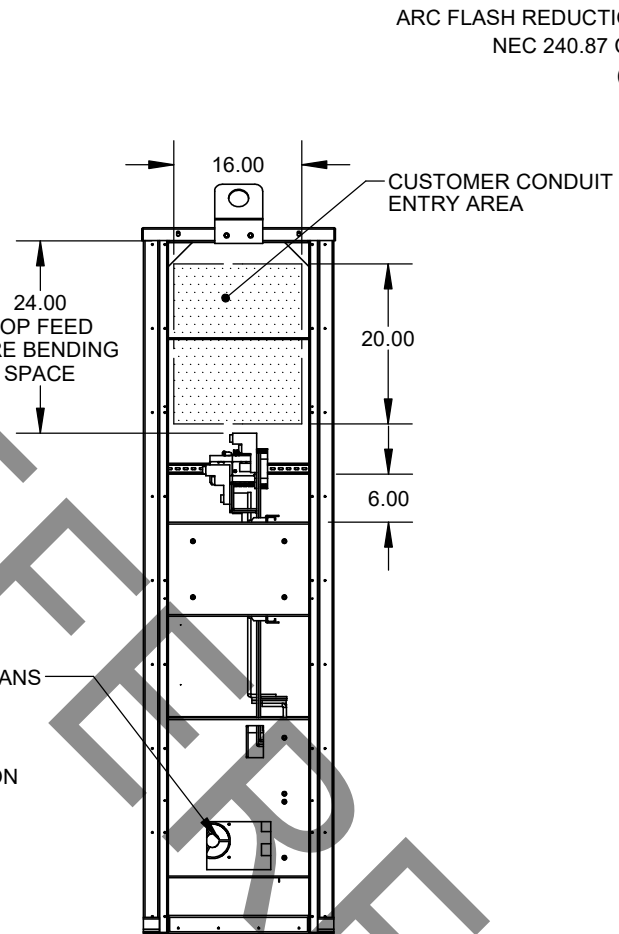
THIS DOCUMENT AND THE DATA DISCLOSED HEREIN OR WHEREWITH IS NOT TO BE REPRODUCED, USED OR DISCLOSED IN WHOLE OR IN PART TO ANYONE WITHOUT THE PERMISSION OF ESL.



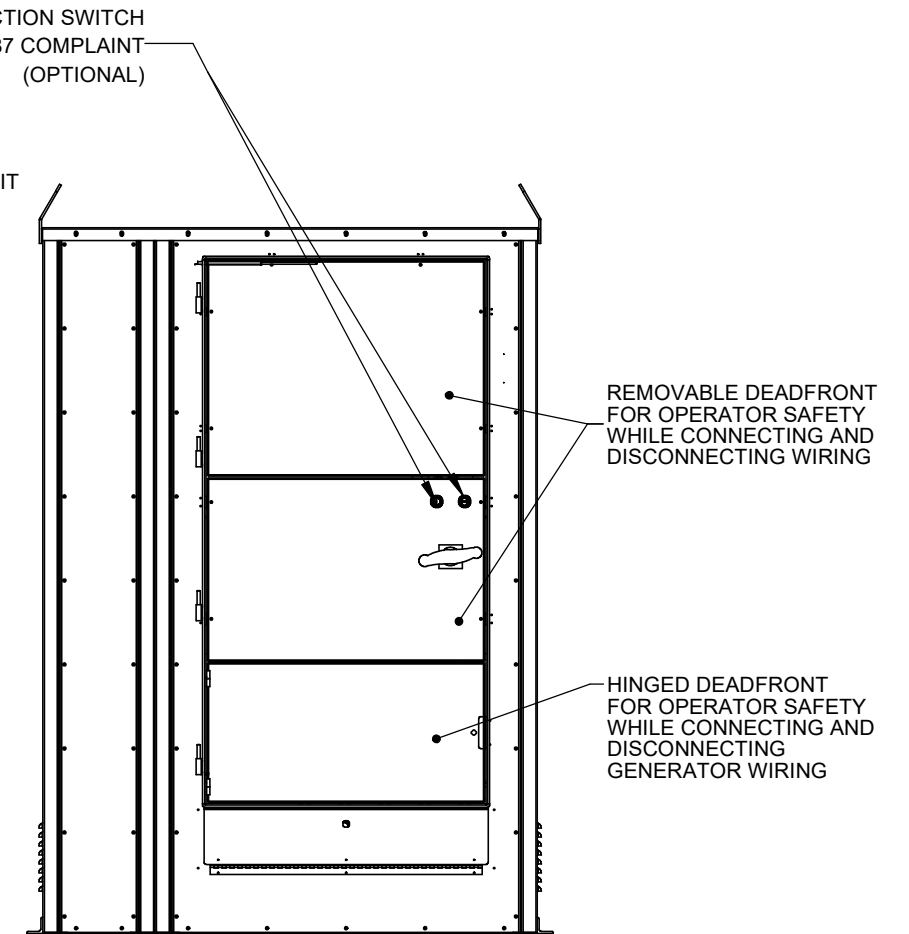
TOP VIEW



FRONT VIEW
(DOOR AND DEADFRONT REMOVED)



RIGHT VIEW



FRONT VIEW
(DOOR REMOVED)

MODEL: 4612-SERIES

0	MAQ	12/30/2021
REV.	BY	DATE

FOR REFERENCE
DESCRIPTION

MATERIAL: GALV STEEL
THICKNESS: 12 GAUGE
COLOR/FINISH: WRINKLE GRAY (RAL 7035)
REFERENCE: 1050-16J-ASSY

ESL POWER SYSTEMS, INC.
CORONA, CALIFORNIA
(951) 739-7000 (800) 922-4188
eslpwr.com - info@eslpwr.com

801-1200A
GENERATOR INLET BOX
TEMPTAP W/ DISCONNECT
3 PHASES + N + G

PART NUMBER
4612-SERIES

SHEET
2 OF 2