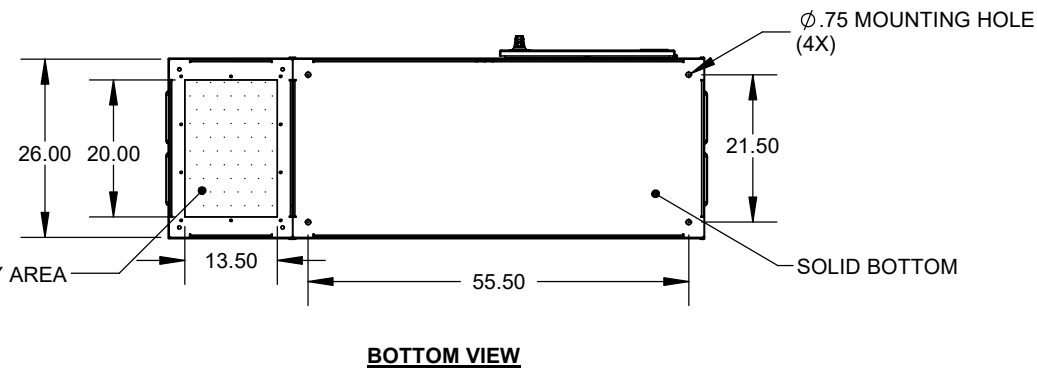
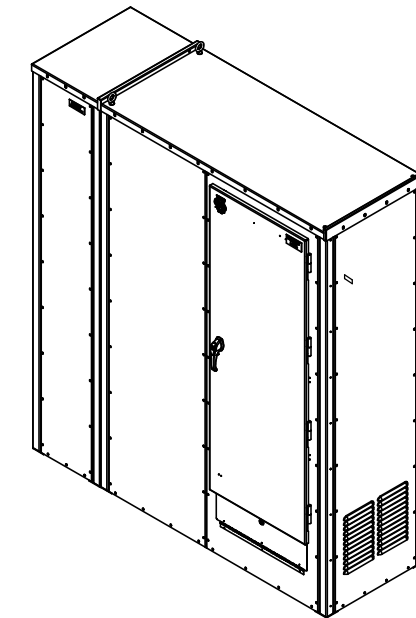
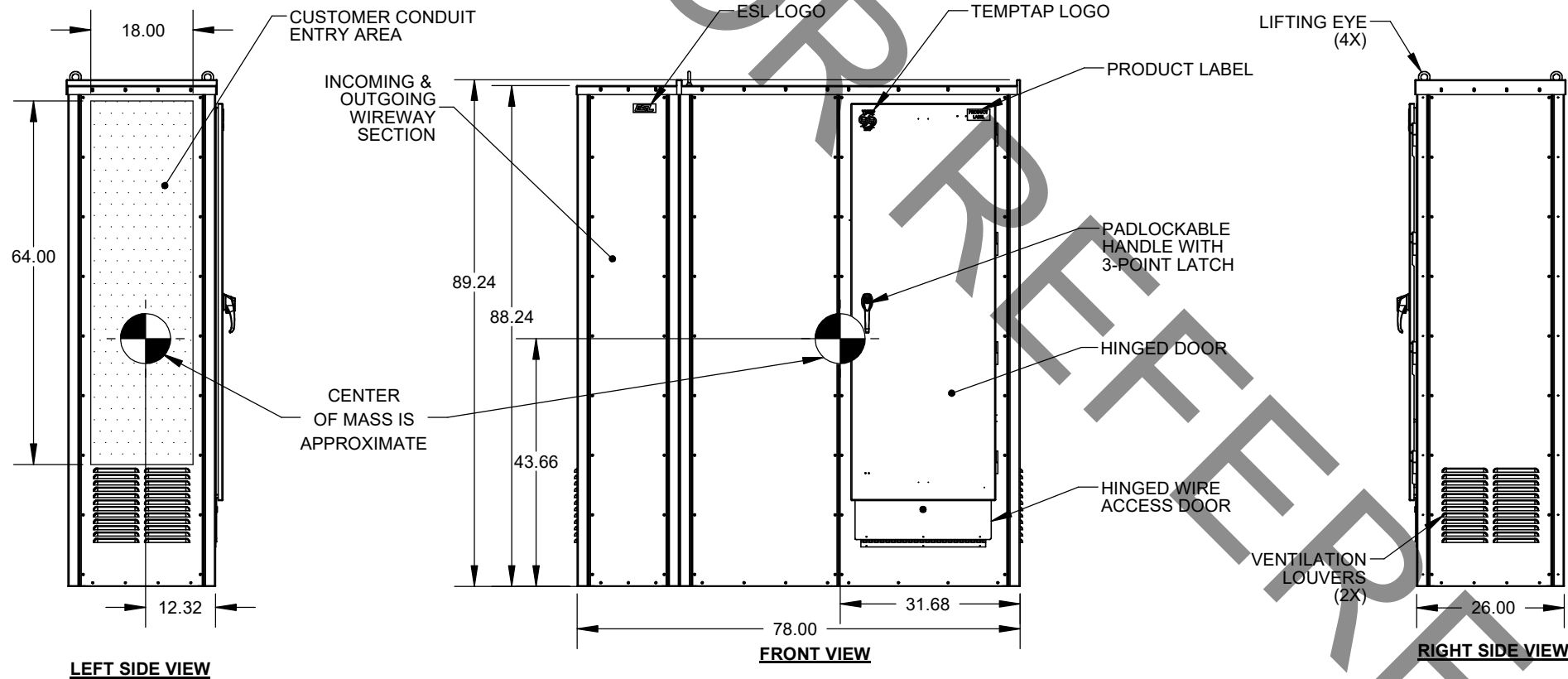
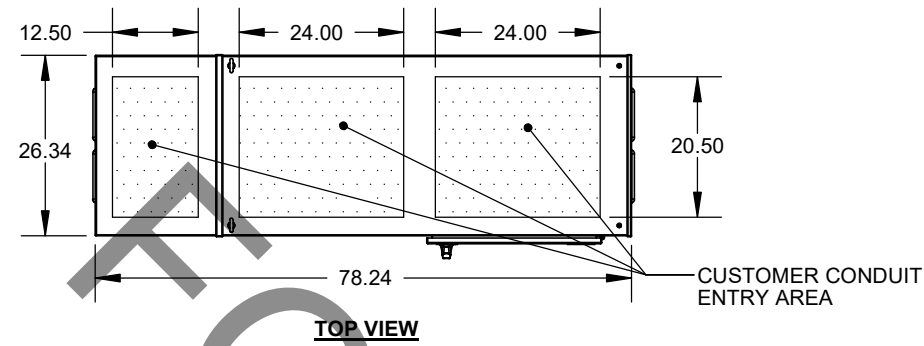


THIS DOCUMENT AND THE DATA DISCLOSED HEREIN OR WHEREWITH IS NOT TO BE REPRODUCED, USED OR DISCLOSED IN WHOLE OR IN PART TO ANYONE WITHOUT THE PERMISSION OF ESL.

**NOTES:**

1. FINISH POWDER COATED SERIES W49. SEE TITLE BLOCK FOR COLOR.
2. TYPE 3R CONSTRUCTION
3. NOT FOR INDOOR USE
4. OPTIONAL PLUG KITS AVAILABLE



**ESL** POWER SYSTEMS

**UL** 4NM1  
C US LISTED

**2401-3200A 50/60Hz 3φ + N + G  
TRANSFER SWITCH ACCESSORY  
CAM-STYLE INLET BOX**

ITEM # 4832-SERIES  
SERIAL # \_\_\_\_\_

SHORT CIRCUIT CURRENT RATING: 50,000 RMS SYMMETRICAL AMPERES  
COURANT NOMINAL DE COURT-CIRCUIT: 50,000 RMS SYMETRIQUES AMPERES  
Corona, CA <-> (800)922-4188 <-> (951)739-7000 <-> info@eslpwr.com

MFG. DATE: \_\_\_\_\_  
TYPE: 3R

EST. WEIGHT: 1788 Lbs.

MATERIAL:	GALV STEEL
THICKNESS:	12 GAUGE
COLOR/FINISH:	WRINKLE GRAY (RAL 7035)
REFERENCE:	1011-54U-ASSY

**ESL** POWER SYSTEMS, INC.  
CORONA, CALIFORNIA  
(951) 739-7000 (800) 922-4188  
eslpwr.com - info@eslpwr.com

2401-3200A  
OUTTAP W/ DISCONNECT  
3 PHASE + N + G

PART NUMBER  
**4832-SERIES**

SHEET  
1 OF 2

MODEL: 4832-SERIES

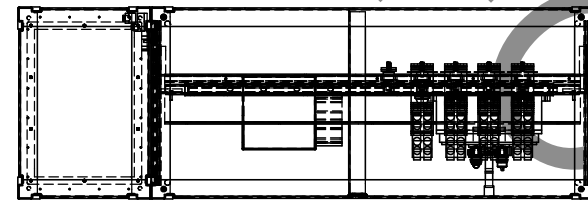
0	MAQ	1/26/22
REV.	BY	DATE

FOR REFERENCE  
DESCRIPTION

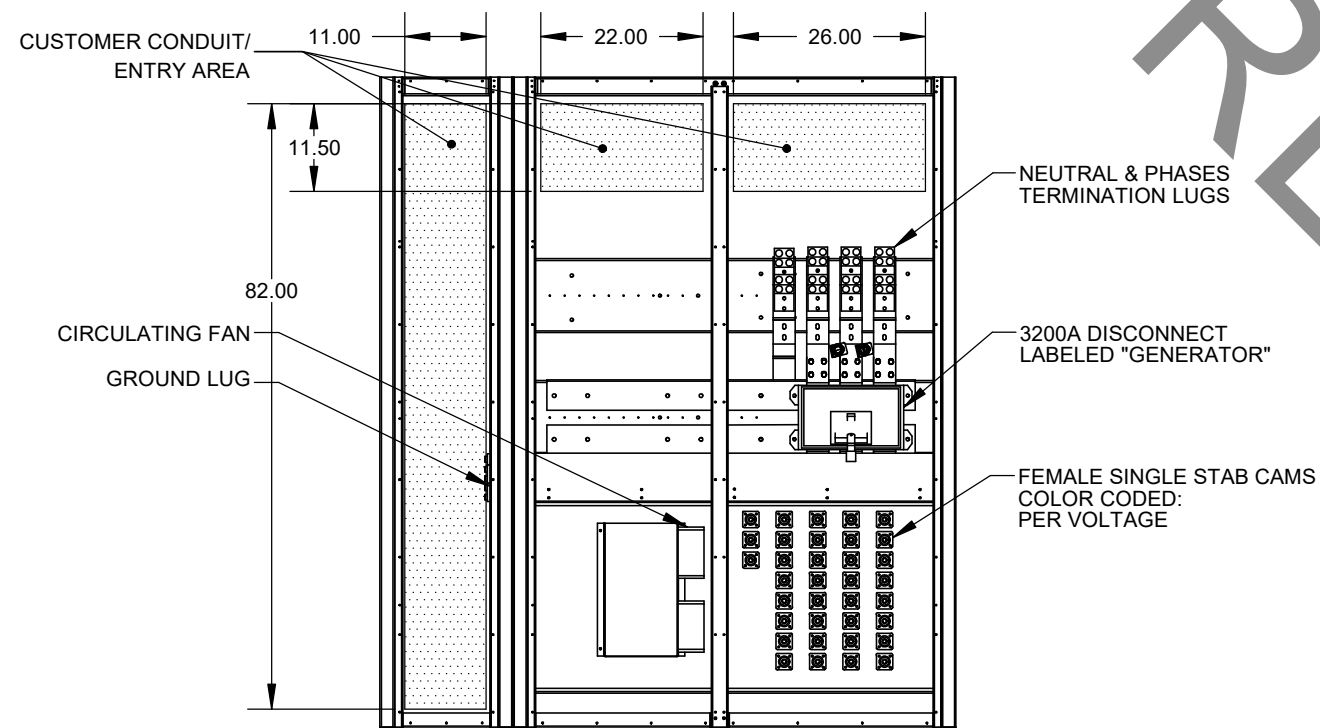
THIS DOCUMENT AND THE DATA DISCLOSED HEREIN OR WHEREWITH IS NOT TO BE REPRODUCED, USED OR DISCLOSED IN WHOLE OR IN PART TO ANYONE WITHOUT THE PERMISSION OF ESL.

NOTES:

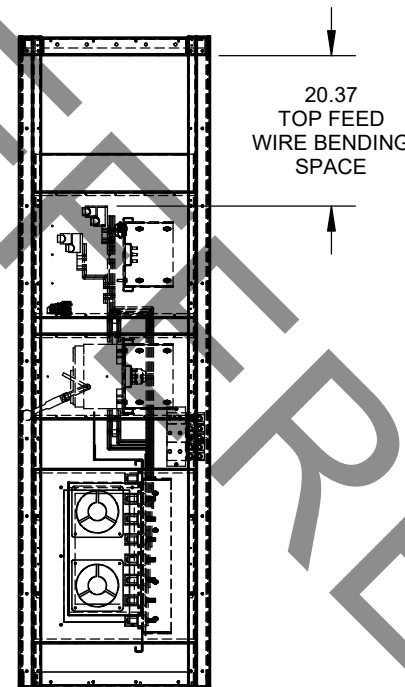
1. CONDUIT HUBS AND MOUNTING HARDWARE TO BE SUPPLIED BY OTHERS.



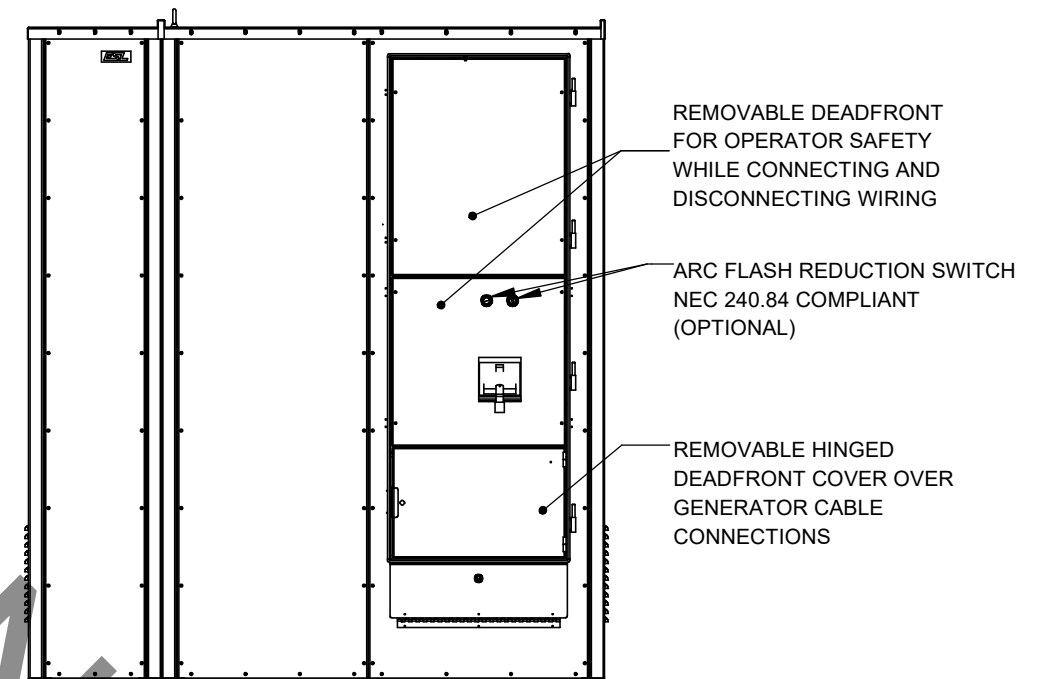
TOP VIEW



FRONT VIEW (SKINS REMOVED)



RIGHT VIEW



FRONT VIEW (DOOR REMOVED)

4832-SERIES

MODEL:

0	MAQ	1/26/22
REV.	BY	DATE

FOR REFERENCE DESCRIPTION

MATERIAL:	GALV STEEL
THICKNESS:	12 GAUGE
COLOR/FINISH:	WRINKLE GRAY (RAL 7035)
REFERENCE:	1011-54U-ASSY

**ESL** POWER SYSTEMS, INC.  
 CORONA, CALIFORNIA  
 (951) 739-7000 (800) 922-4188  
 eslpwr.com - info@eslpwr.com

2401-3200A  
 OUTTAP W/ DISCONNECT  
 3 PHASE + N + G

PART NUMBER  
**4832-SERIES**

SHEET  
 2 OF 2