

D

C

B

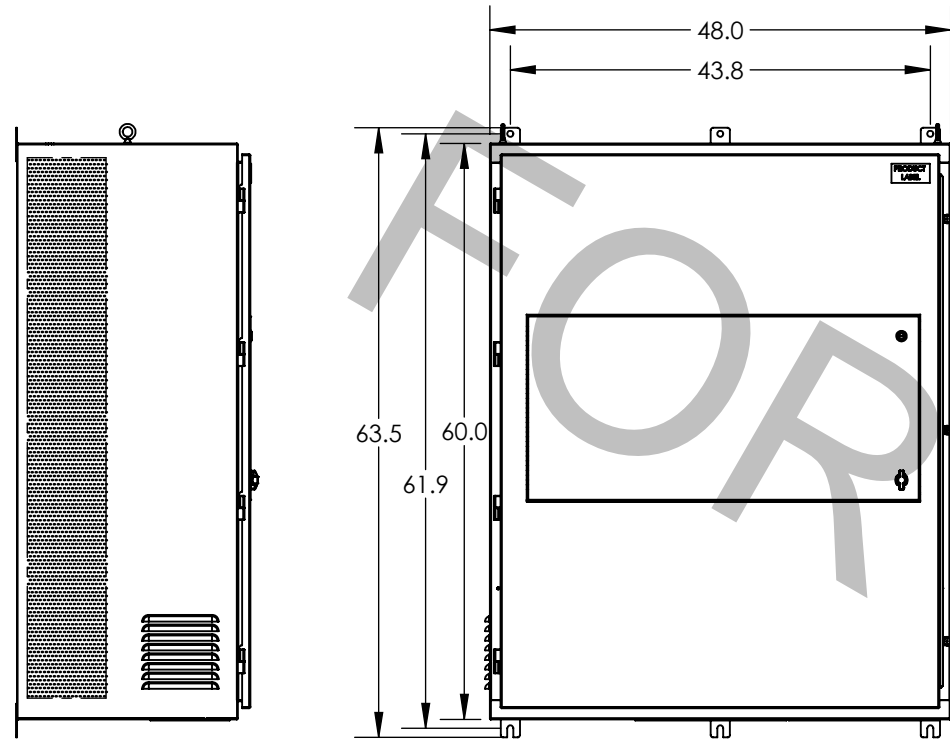
A

D

C

B

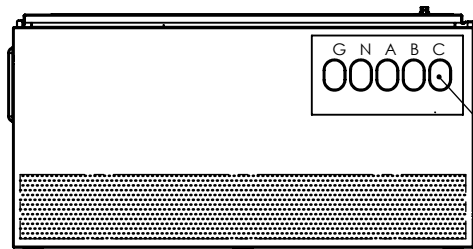
A



SIDE VIEW

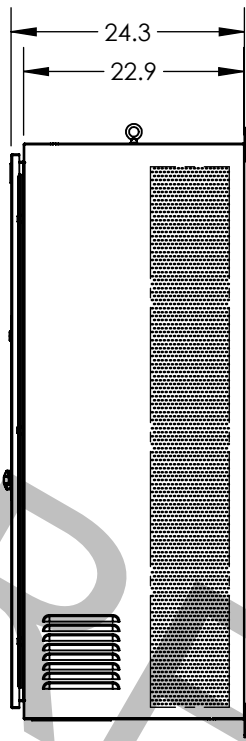
FRONT VIEW
(HANDLE COVER NOT SHOWN)

SIDE VIEW



BOTTOM VIEW

HINGED INTERNAL PROTECTIVE COVER FOR WIRE OPENING



PHASE ROTATION MONITOR & FUSES (STANDARD)

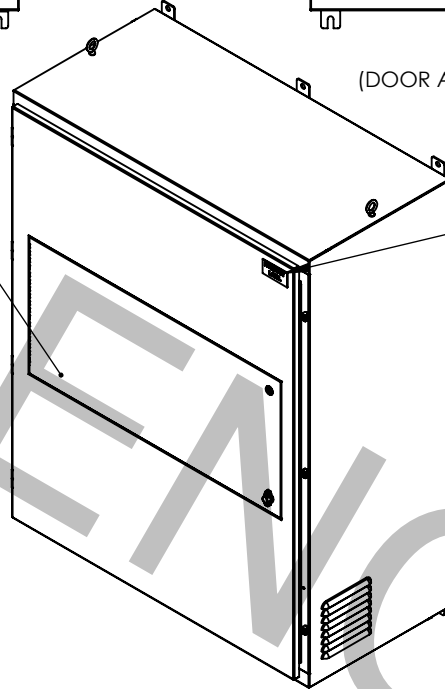
DEADFRONT FOR OPERATOR SAFETY WHILE CONNECTING AND DISCONNECTING GENERATOR CABLES

OPERATION & SAFETY INSTRUCTIONS

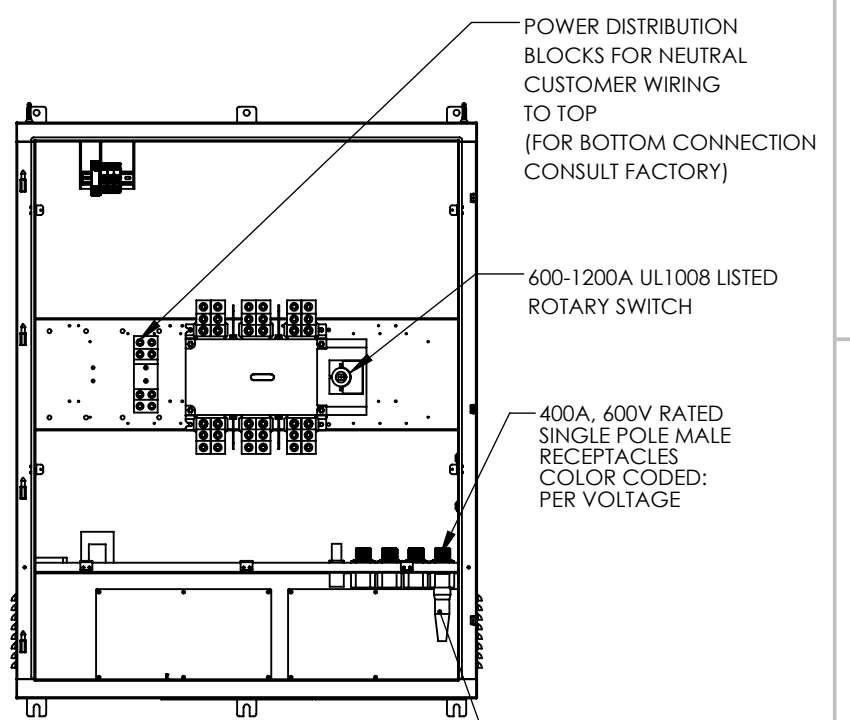
TERMINAL BLOCK STRIP REMOTE START/STOP (STANDARD)

PADLOCKABLE HANDLE COVER

FRONT VIEW (DOOR REMOVED)



PRODUCT LABEL



FRONT VIEW (DOOR AND DEADFRONT REMOVED)



ASSEMBLY NOTES

COMPLETE ASSEMBLY IS UL LISTED AS A MANUAL TRANSFER SWITCH UNDER UL 1008 (TRANSFER SWITCH STANDARD)

FINISH POWDER COATED SERIES W49. SEE TITLE BLOCK FOR COLOR.

STANDARD UNIT IS NON-SWITCHED NEUTRAL. FOR SWITCHED NEUTRAL PLEASE CONSULT FACTORY.

NOT FOR INDOOR USE


TYPE 3R CONSTRUCTION

OPTIONAL PLUG KITS AVAILABLE

CONDUIT ENTRY AREA SHOWN SHADED

FOR AVAILABLE ACCESSORIES & OPTIONS SEE SPEC SHEET

FOR SINGLE LINE VISIT WWW.ESLPWR.COM

0	CP	2/10/23	FOR REFERENCE	
REV.	BY	DATE	DESCRIPTION	
MODEL ID:		8312-SERIES	UNLESS OTHERWISE SPECIFIED: DIMENSIONS ARE IN INCHES TOLERANCES: DECIMALS .x ±.03 .XX ±.01 .XXX ±.005 ANGULAR ±1/2° BREAK ALL SHARP EDGES .005 - .010 DO NOT SCALE PROPRIETARY THIS DOCUMENT AND THE DATA DISCLOSED HEREIN OR WHEREWITH IS NOT TO BE REPRODUCED, USED OR DISCLOSED IN WHOLE OR IN PART TO ANYONE WITHOUT THE PERMISSION OF ESL.	 CORONA, CALIFORNIA International: (951) 739-7000 Phone: (800) 922-4188 eslpwr.com info@eslpwr.com
SCHEMATIC				
THICKNESS		12GA		
MATERIAL				
FINISH		WRINKLE GRAY (RAL 7035)	ESL ROTARYCONNECT ENCLOSURE RATED 600-1200A	
REFERENCE			DWG NO. 8312-SERIES EST. WEIGHT: 630 LBS.	
			REV. 0 SHEET 1 of 1	