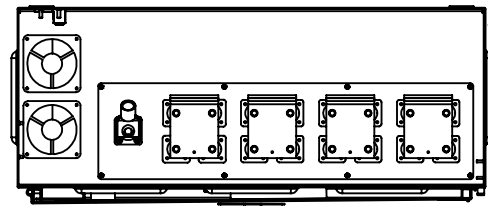


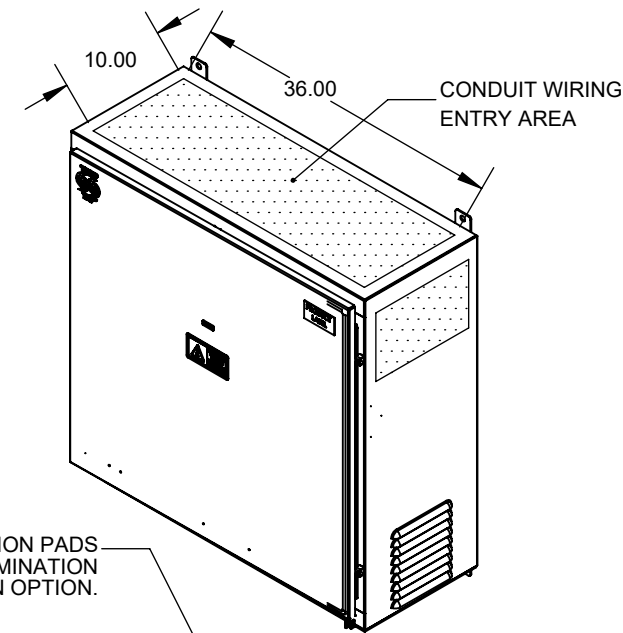
THIS DOCUMENT AND THE DATA DISCLOSED HEREIN OR WHEREWITH IS NOT TO BE REPRODUCED, USED OR DISCLOSED IN WHOLE OR IN PART TO ANYONE WITHOUT THE PERMISSION OF ESL.

NOTES:

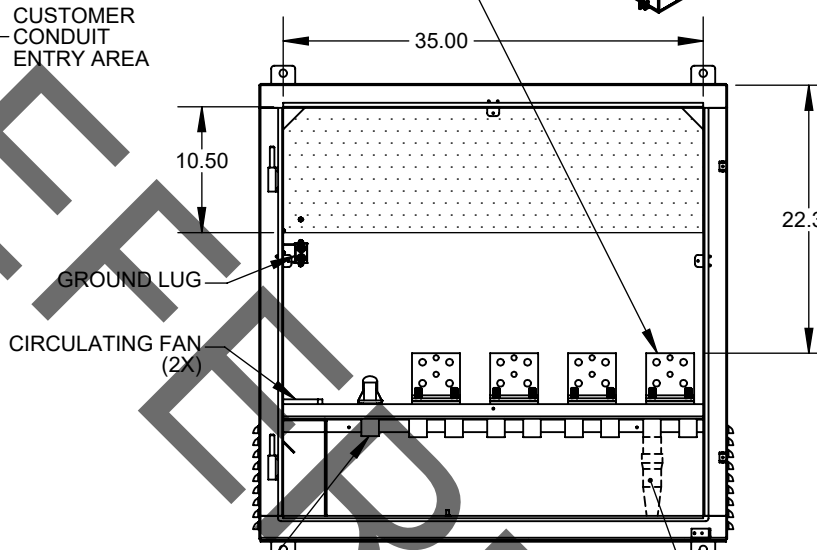
1. FINISH POWDER COAT SERIES W49. SEE TITLE BLOCK FOR COLOR.
2. TYPE 3R CONSTRUCTION.
3. OPTIONAL PLUG KITS AVAILABLE
4. FOAM SEAL INSIDE OF ALL CONDUIT ENTRIES



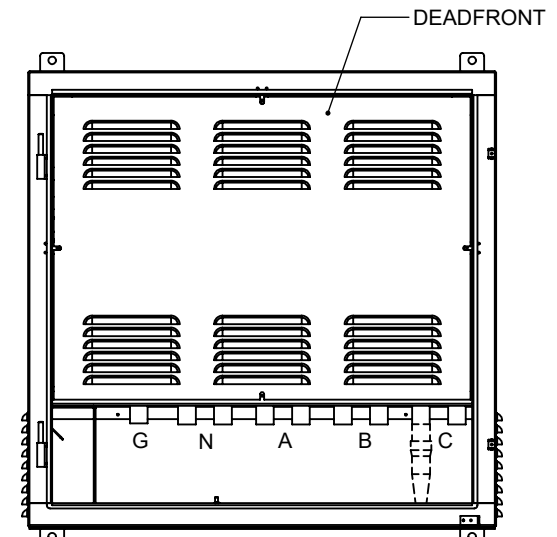
SECTION C-C



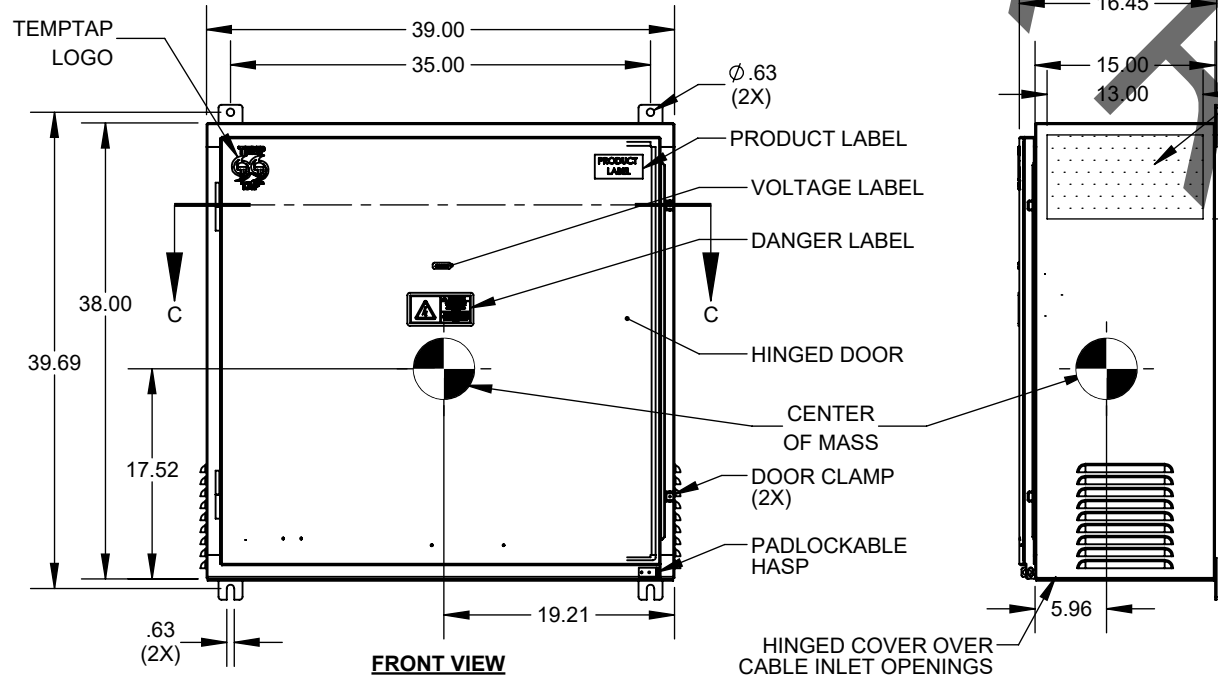
COPPER CONNECTION PADS PROVIDED. WIRE TERMINATION LUGS AVAILABLE AS AN OPTION.



400A, 600V RATED SINGLE STAB MALE CONNECTORS COLOR CODED: PER VOLTAGE

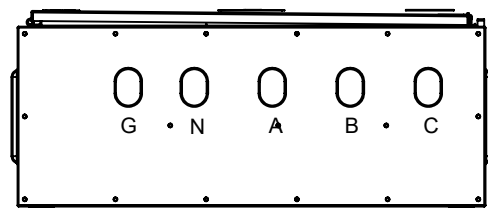


FRONT VIEW (DOOR NOT SHOWN)



FRONT VIEW

SIDE VIEW (WIRE ACCESS DOOR SHOWN CLOSED)



BOTTOM VIEW (WIRE ACCESS DOOR SHOWN CLOSED)



1201-1600A 50/60Hz 3φ + N + G

TRANSFER SWITCH ACCESSORY
CAM-STYLE INLET BOX

ITEM # 3616-SERIES SERIAL # _____
MFG. DATE: _____ TYPE: 3R

SHORT CIRCUIT WITHSTAND RATING: 42,000 RMS SYMMETRICAL AMPS
RESISTER NOMINAL DE COURT-CIRCUIT: 42,000 RMS SYMETRIQUES AMPERES
Corona, CA <> (800)922-4188 <> (951)739-7000 <> info@eslpwr.com

EST. WEIGHT: 249 Lbs.

MATERIAL: GALV STEEL
THICKNESS: 12 GAUGE
COLOR: WRINKLE GRAY (RAL 7035)
REFERENCE: 1190-16

ESL POWER SYSTEMS, INC.
CORONA, CALIFORNIA
(951) 739-7000 (800) 922-4188
eslpwr.com - info@eslpwr.com

1201-1600A
SINGLE STAB
CAM-STYLE INLET BOX
3-PHASES + N + G

PART NUMBER
3616-SERIES

SHEET
1 OF 1

MODEL: 3616-SERIES

0	MAQ	02/01/2022
REV.	BY	DATE

FOR REFERENCE
DESCRIPTION