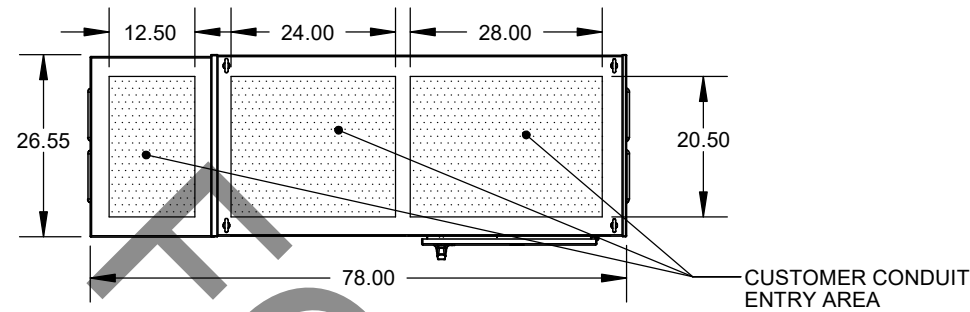


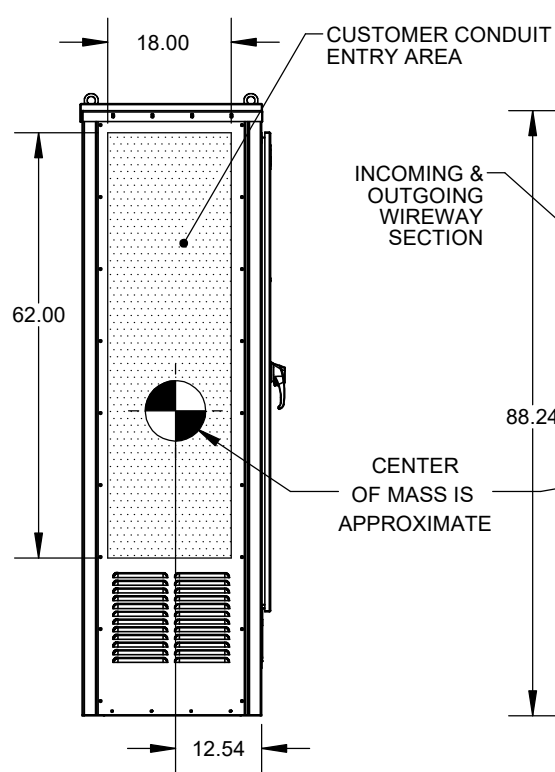
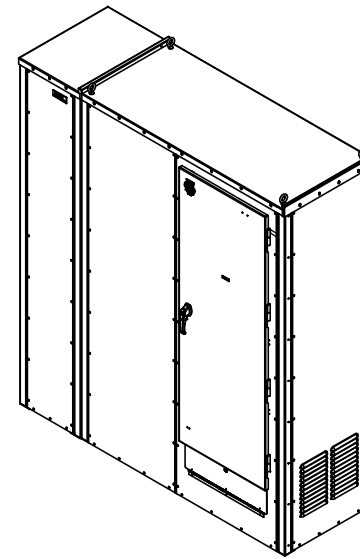
THIS DOCUMENT AND THE DATA DISCLOSED HEREIN OR WHEREWITH IS NOT TO BE REPRODUCED, USED OR DISCLOSED IN WHOLE OR IN PART TO ANYONE WITHOUT THE PERMISSION OF ESL.

NOTES:

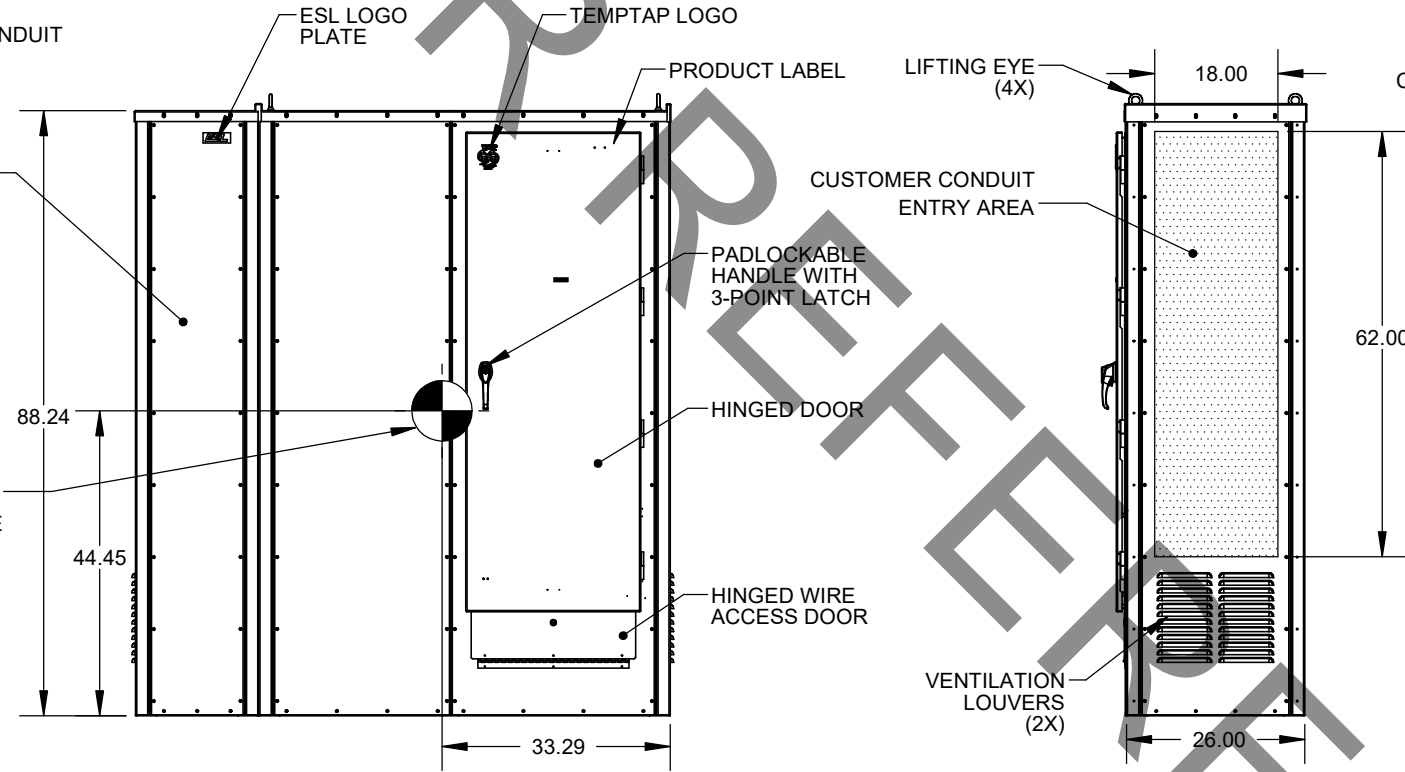
1. FINISH POWDER COAT SERIES W49. SEE TITLE BLOCK FOR COLOR
2. STANDARD UNIT IS NON-SWITCHED NEUTRAL. FOR SWITCHED NEUTRAL PLEASE CONSULT FACTORY
3. TYPE 3R CONSTRUCTION
4. NOT FOR INDOOR USE



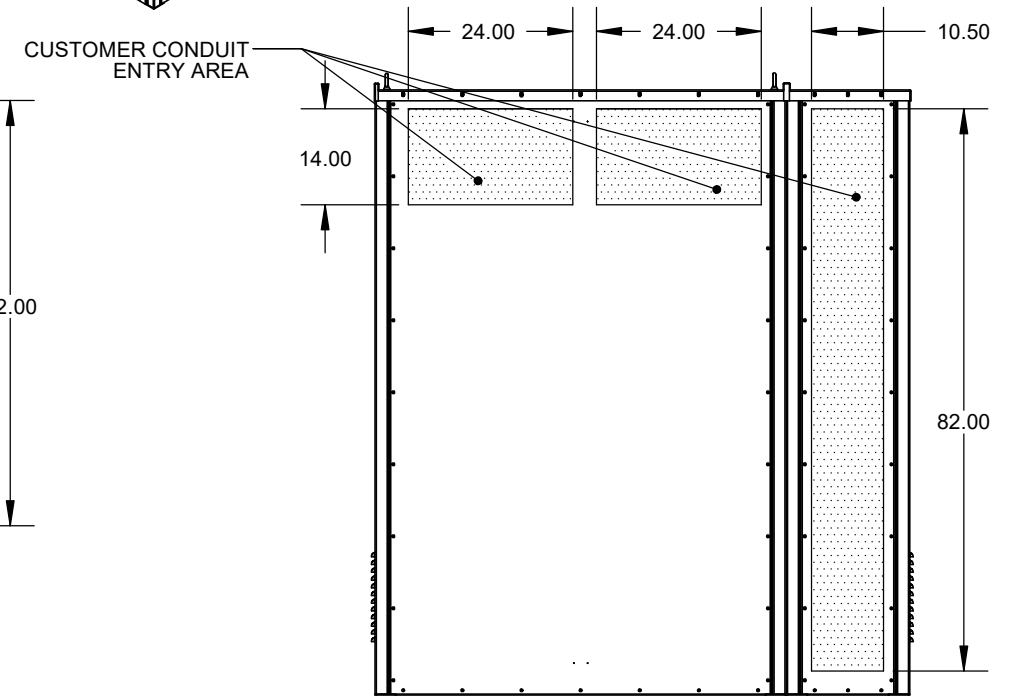
TOP VIEW



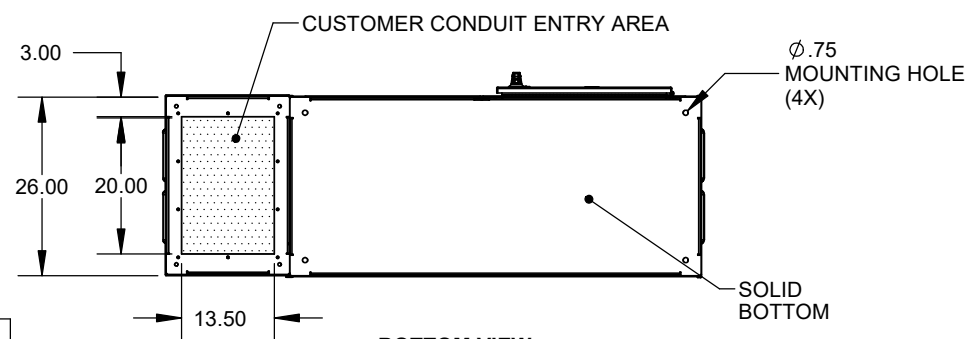
LEFT SIDE VIEW



FRONT VIEW



BACK VIEW



BOTTOM VIEW



1201-2400A 50/60Hz 3 ϕ + N + G
**TRANSFER SWITCH ACCESSORY
 CAM-STYLE INLET BOX**

ITEM # 4624-SERIES
 SERIAL # _____
 MFG. DATE: _____
 TYPE: 3R

Corona, CA <> (800)922-4188 <> (951)739-7000 <> info@eslpwr.com

TABLE OF KAIC RATING	
DISCONNECT SWITCH	SHORT CIRCUIT RATING 10kA
CIRCUIT BREAKER	50KAIC@240VAC
	50KAIC@480VAC

MATERIAL:	GALV STEEL
THICKNESS:	12 GAUGE
COLOR:	WRINKLE GRAY (RAL 7035)
REFERENCE:	1011-54T-ASSY

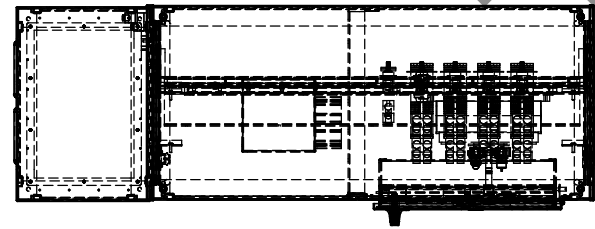
ESL POWER SYSTEMS, INC.
 CORONA, CALIFORNIA
 (951) 739-7000 (800) 922-4188
 eslpwr.com - info@eslpwr.com

EST. WEIGHT:	2525 Lbs.
1201-2400A GENERATOR INLET BOX TEMPTAP W/ DISCONNECT 3 PHASE + N + G	
DRAWING NUMBER	4624-SERIES
SHEET	1 OF 2

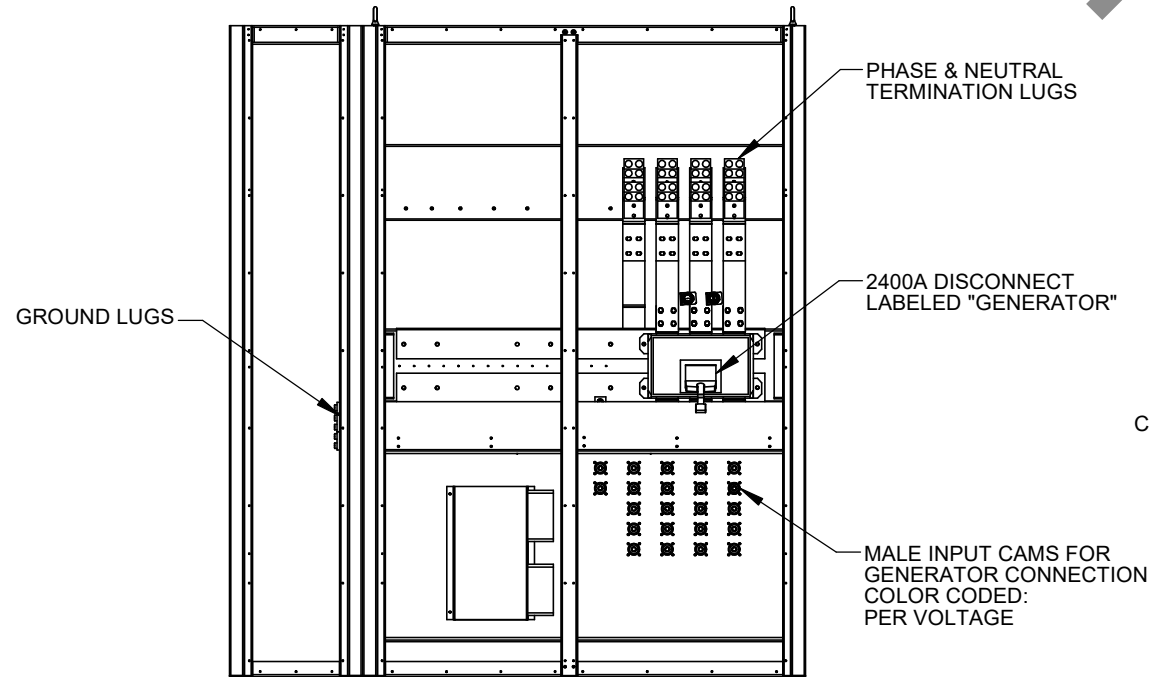
MODEL: 4624-SERIES

0	MAQ	01/25/2022	FOR REFERENCE
REV.	BY	DATE	DESCRIPTION

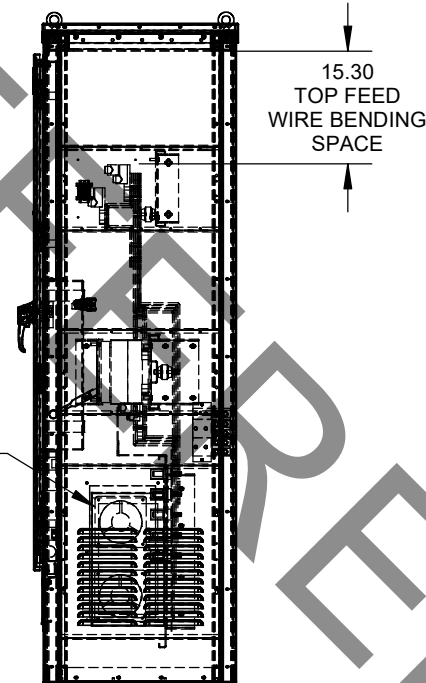
THIS DOCUMENT AND THE DATA DISCLOSED HEREIN OR WHEREWITH IS NOT TO BE REPRODUCED, USED OR DISCLOSED IN WHOLE OR IN PART TO ANYONE WITHOUT THE PERMISSION OF ESL.



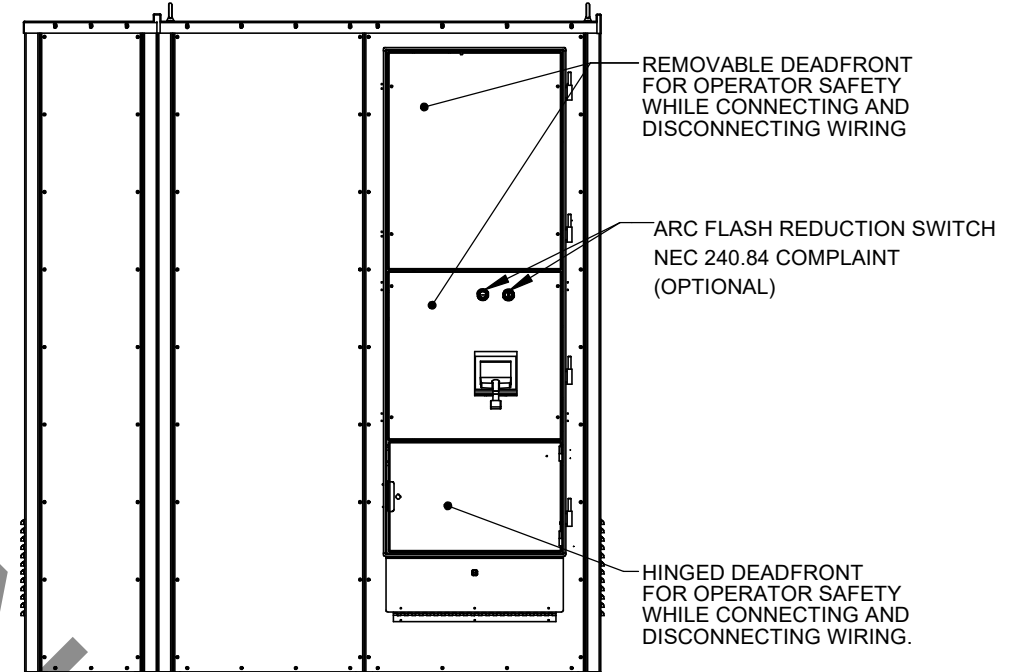
TOP VIEW



FRONT VIEW
(DOORS AND DEADFRONTS REMOVED)



RIGHT VIEW



FRONT VIEW
(DOORS REMOVED)

MODEL: 4624-SERIES

0	MAQ	01/25/2022
REV.	BY	DATE

FOR REFERENCE
DESCRIPTION

MATERIAL:	GALV STEEL
THICKNESS:	12 GAUGE
COLOR:	WRINKLE GRAY (RAL 7035)
REFERENCE:	1011-54T-ASSY

ESL POWER SYSTEMS, INC.
CORONA, CALIFORNIA
(951) 739-7000 (800) 922-4188
eslpwr.com - info@eslpwr.com

1201-2400A
GENERATOR INLET BOX
TEMPTAP W/ DISCONNECT
3 PHASE + N + G

DRAWING NUMBER
4624-SERIES

SHEET
2 OF 2