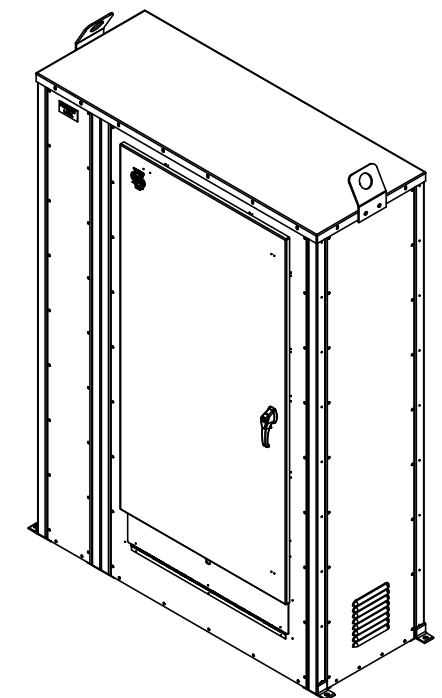
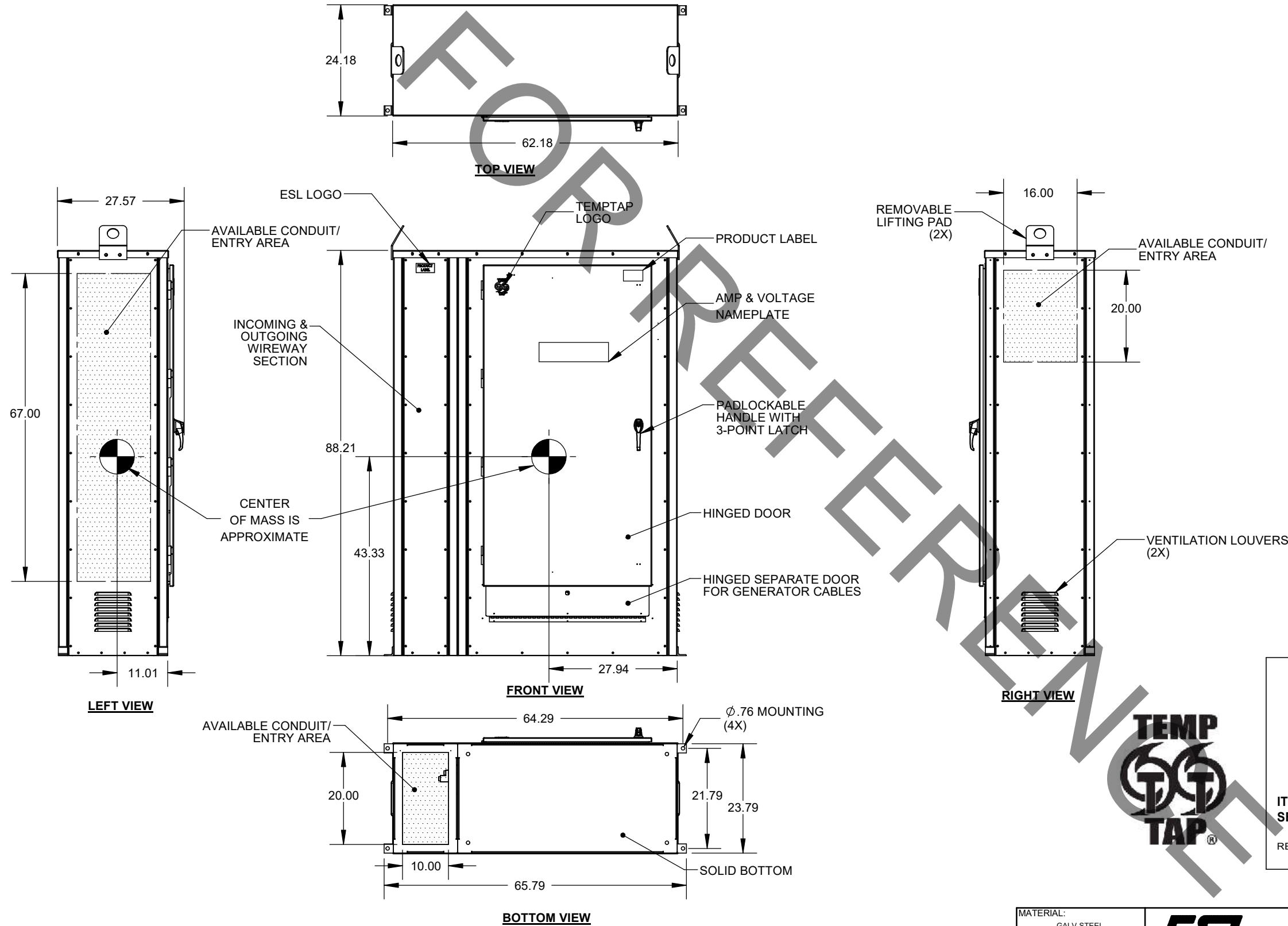


THIS DOCUMENT AND THE DATA DISCLOSED HEREIN OR WHEREWITH IS NOT TO BE REPRODUCED, USED OR DISCLOSED IN WHOLE OR IN PART TO ANYONE WITHOUT THE PERMISSION OF ESL.

**NOTES:**

1. FINISH POWDER COATED SERIES W49. SEE TITLE BLOCK FOR COLOR.
2. TYPE 3R CONSTRUCTION
3. NOT FOR INDOOR USE



**ESL** POWER SYSTEMS

**UL** 4NM1  
C US LISTED

801-1200A 50/60Hz 3 $\phi$  + N + G  
TRANSFER SWITCH ACCESSORY  
CAM-STYLE OUTLET BOX

ITEM # 4812-SERIES  
SERIAL # \_\_\_\_\_

SHORT CIRCUIT CURRENT RATING: 35,000 RMS SYMMETRICAL AMPS  
RESISTER NOMINAL DE COURT-CIRCUIT: 35,000 RMS SYMETRIQUES AMPERES  
Corona, CA <> (800)922-4188 <> (951)739-7000 <> info@eslpwr.com

MFG. DATE: \_\_\_\_\_  
TYPE: 3R



EST. WEIGHT: 1186 Lbs.

**ESL** POWER SYSTEMS, INC.  
CORONA, CALIFORNIA  
(951) 739-7000 (800) 922-4188  
eslpwr.com - info@eslpwr.com

801-1200A  
OUTTAP W/ DISCONNECT  
3 PHASE + N + G

MATERIAL:	GALV STEEL
THICKNESS:	12 GAUGE
COLOR/FINISH:	WRINKLE GRAY (RAL 7035)
REFERENCE:	1050-16M-ASSY

PATH

PART NUMBER  
4812-SERIES

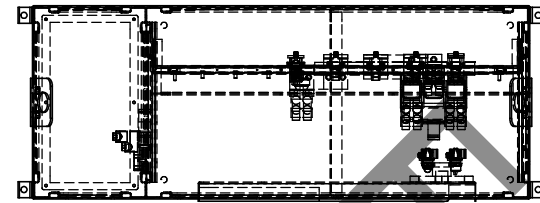
SHEET  
1 OF 2

MODEL: 4812-SERIES

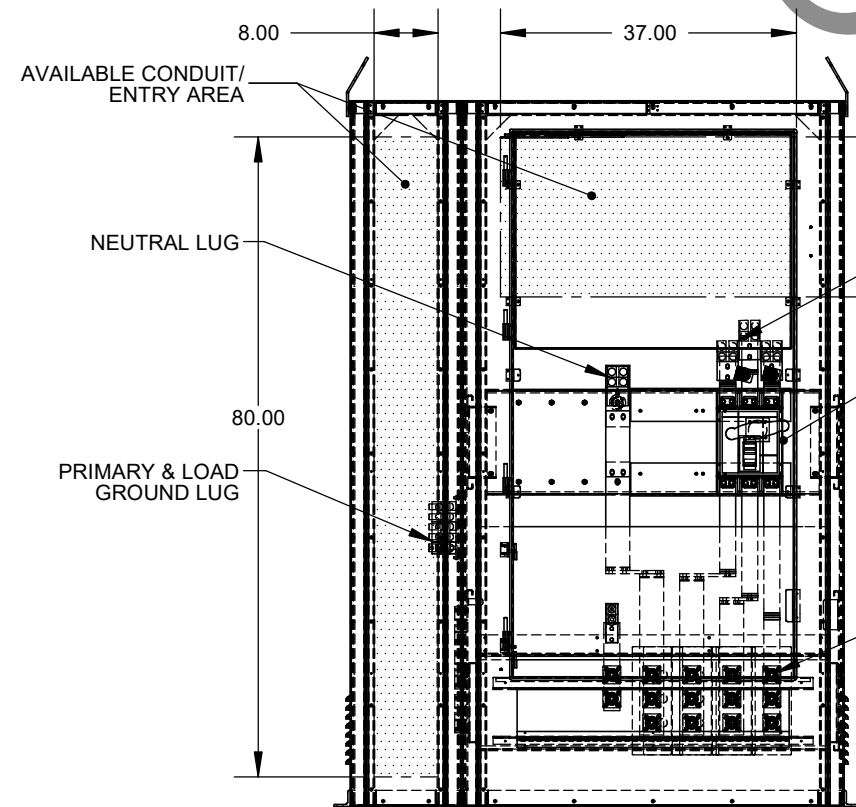
0	MAQ	01/25/2022	
REV.	BY	DATE	

FOR REFERENCE  
DESCRIPTION

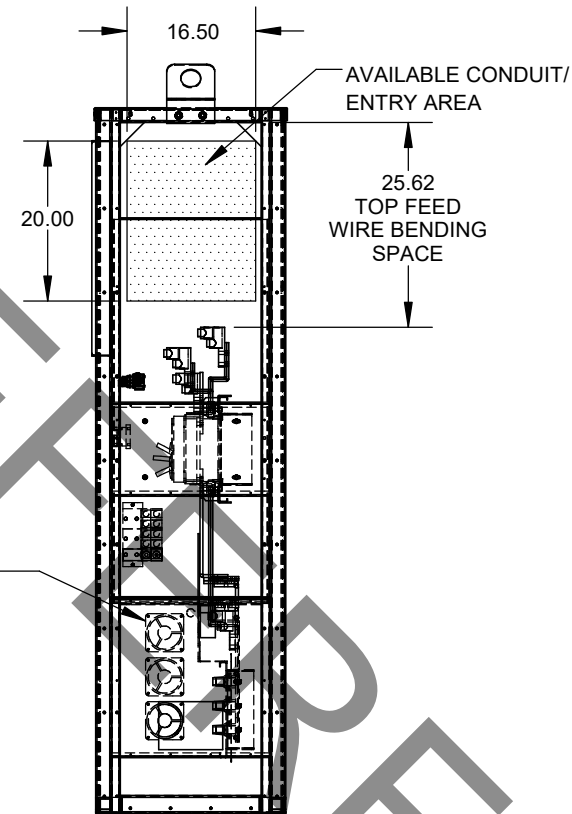
THIS DOCUMENT AND THE DATA DISCLOSED HEREIN OR WHEREWITH IS NOT TO BE REPRODUCED, USED OR DISCLOSED IN WHOLE OR IN PART TO ANYONE WITHOUT THE PERMISSION OF ESL.



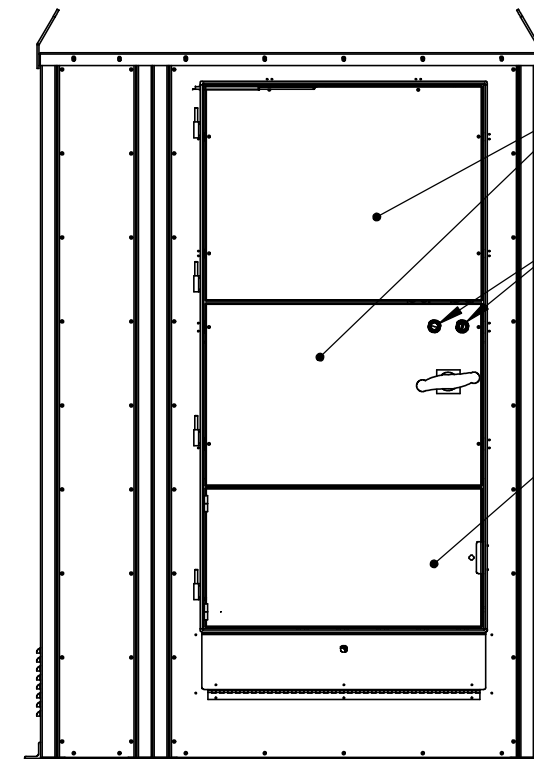
TOP VIEW



FRONT VIEW  
(DOOR AND DEADFRONT REMOVED)



RIGHT VIEW



FRONT VIEW  
(DOOR REMOVED)

4812-SERIES

MODEL:

0	MAQ	01/25/2022
REV.	BY	DATE

FOR REFERENCE  
DESCRIPTION

MATERIAL:	GALV STEEL
THICKNESS:	12 GAUGE
COLOR/FINISH:	WRINKLE GRAY (RAL 7035)
REFERENCE:	1050-16M-ASSY

**ESL** POWER SYSTEMS, INC.  
CORONA, CALIFORNIA  
(951) 739-7000 (800) 922-4188  
eslpwr.com - info@eslpwr.com

801-1200A  
OUTTAP W/ DISCONNECT  
3 PHASE + N + G

PART NUMBER  
4812-SERIES

SHEET  
2 OF 2