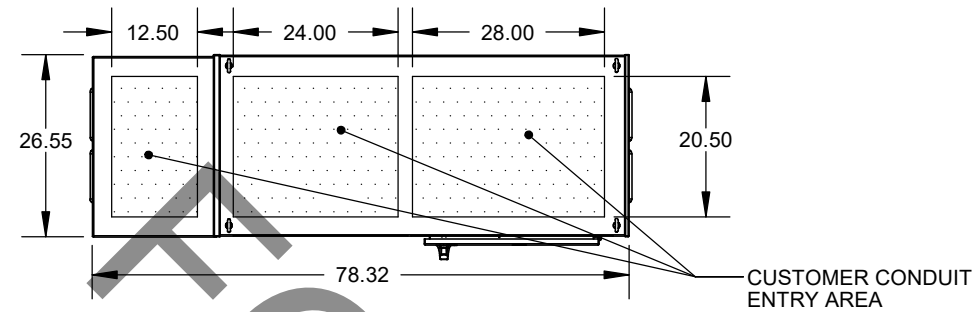


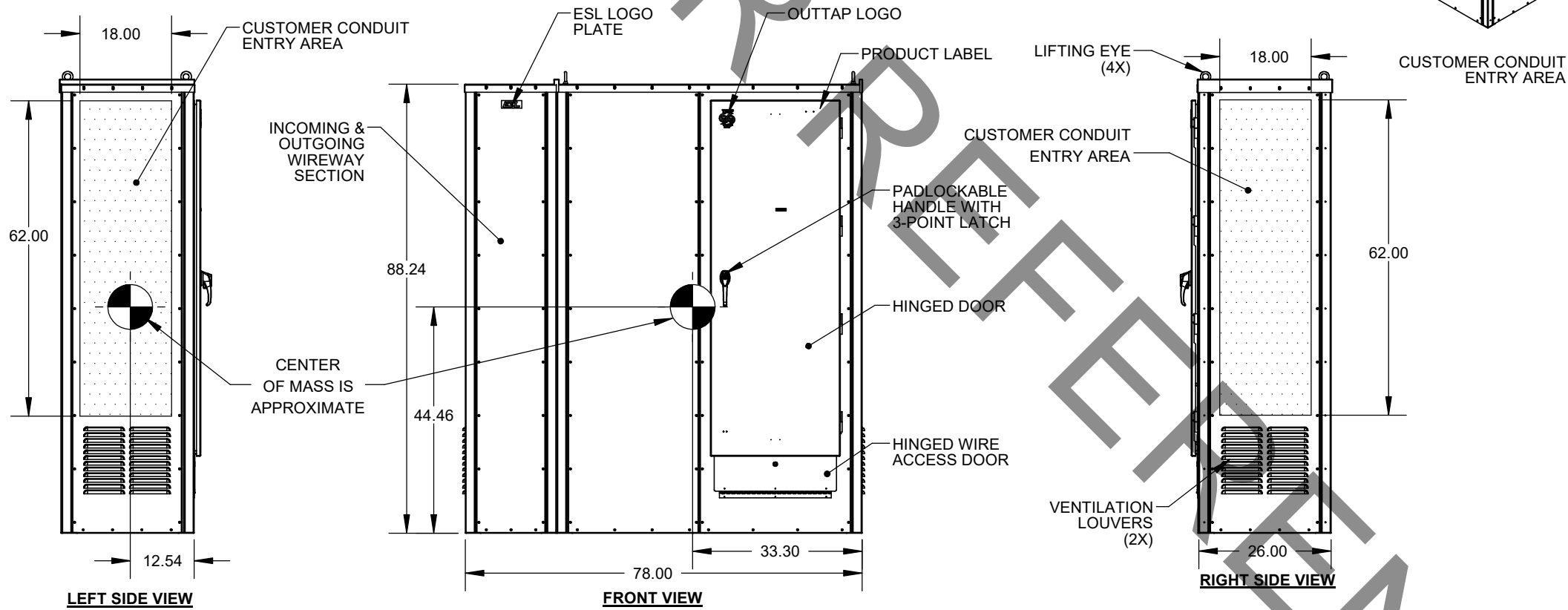
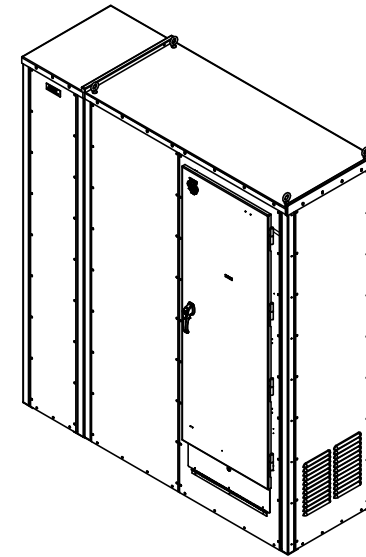
THIS DOCUMENT AND THE DATA DISCLOSED HEREIN OR WHEREWITH IS NOT TO BE REPRODUCED, USED OR DISCLOSED IN WHOLE OR IN PART TO ANYONE WITHOUT THE PERMISSION OF ESL.

NOTES:

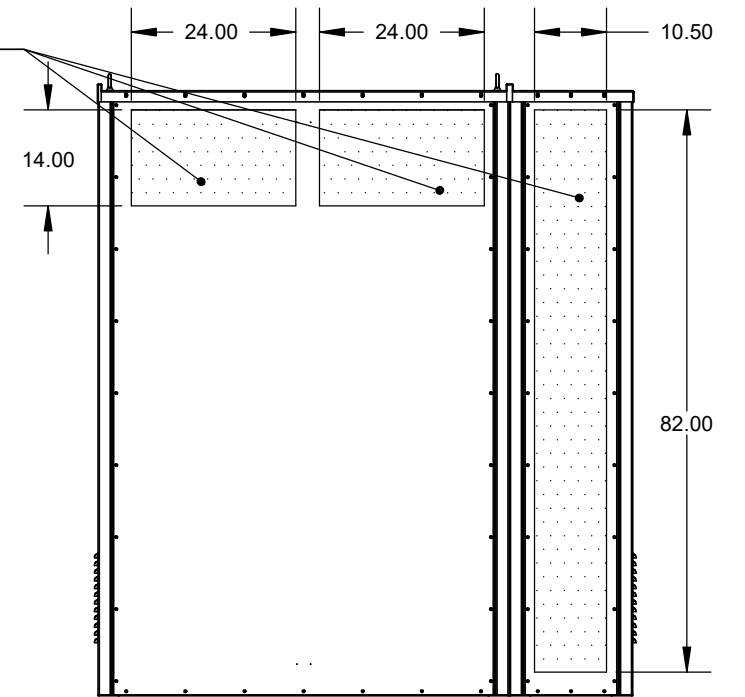
1. FINISH POWDER COAT SERIES W49. SEE TITLE BLOCK FOR COLOR
2. TYPE 3R CONSTRUCTION
3. NOT FOR INDOOR USE
4. OPTIONAL PLUG KITS AVAILABLE



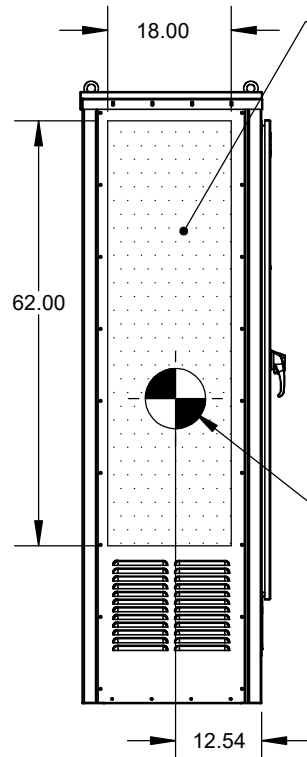
TOP VIEW



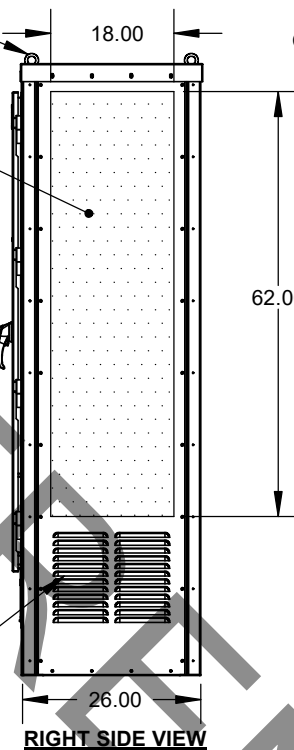
FRONT VIEW



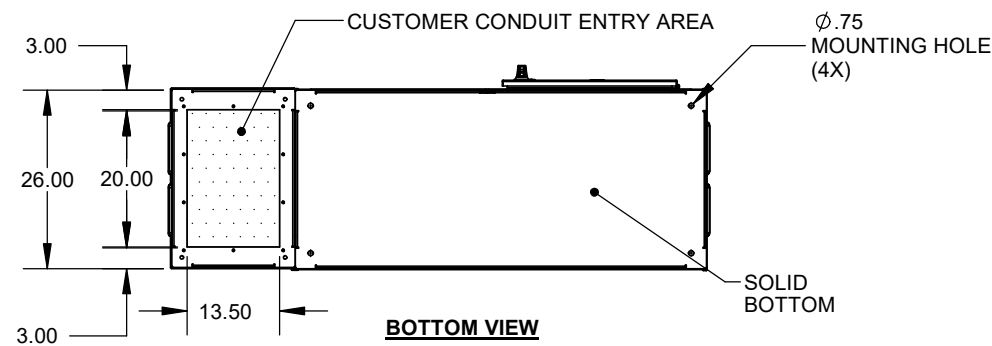
BACK VIEW



LEFT SIDE VIEW




RIGHT SIDE VIEW



BOTTOM VIEW



ESL POWER SYSTEMS  4NM1
 C US LISTED
 1201-2400A 50/60Hz 3 ϕ + N + G
 TRANSFER SWITCH ACCESSORY
 CAM-STYLE OUTLET BOX
 ITEM # 4824-SERIES SERIAL # _____ MFG. DATE: _____
 TYPE: 3R
 SHORT CIRCUIT CURRENT RATING: 50,000 RMS SYMMETRICAL AMPS
 COURANT NOMINAL DE COURT-CIRCUIT: 50,000 RMS SYMETRIQUES AMPERES
 Corona, CA <> (800)922-4188 <> (951)739-7000 <> info@eslpwr.com

MATERIAL:	GALV STEEL
THICKNESS:	12 GAUGE
COLOR:	WRINKLE GRAY (RAL 7035)
REFERENCE:	1011-54T-ASSY

ESL POWER SYSTEMS, INC.
 CORONA, CALIFORNIA
 (951) 739-7000 (800) 922-4188
 eslpwr.com - info@eslpwr.com

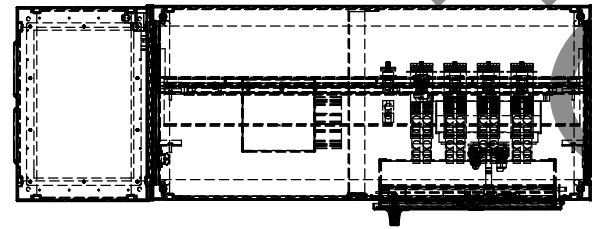
EST. WEIGHT:	1622 Lbs.
1201-2400A OUTTAP W/ DISCONNECT 3 PHASE + N + G	
DRAWING NUMBER	4824-SERIES
SHEET	1 OF 2

MODEL: 4824-SERIES

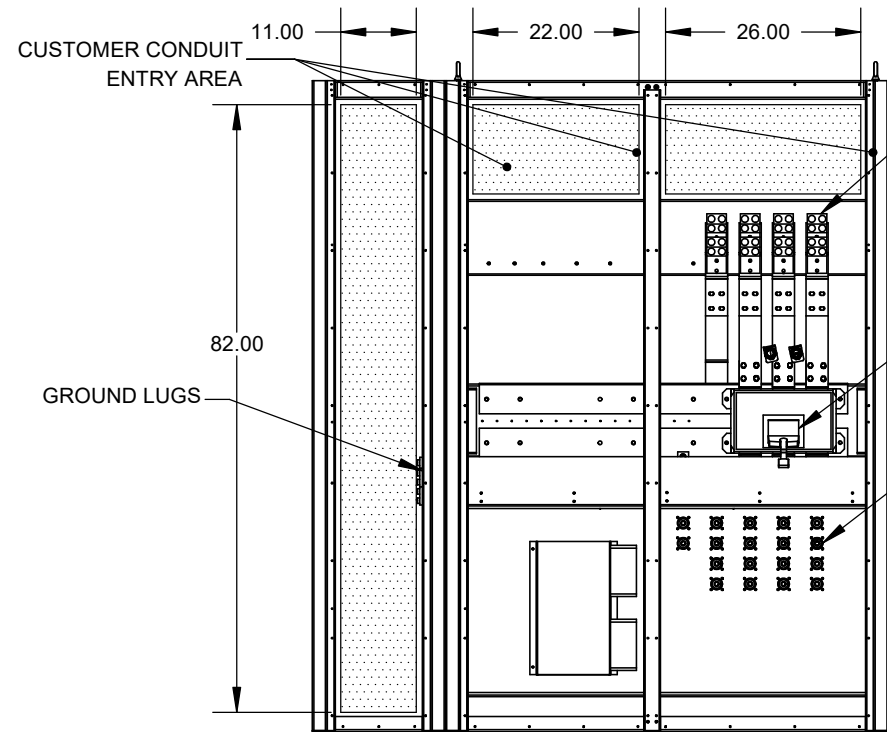
0	MAQ	01/25/2022
REV.	BY	DATE

FOR REFERENCE
DESCRIPTION

THIS DOCUMENT AND THE DATA DISCLOSED HEREIN OR WHEREWITH IS NOT TO BE REPRODUCED, USED OR DISCLOSED IN WHOLE OR IN PART TO ANYONE WITHOUT THE PERMISSION OF ESL.



TOP VIEW

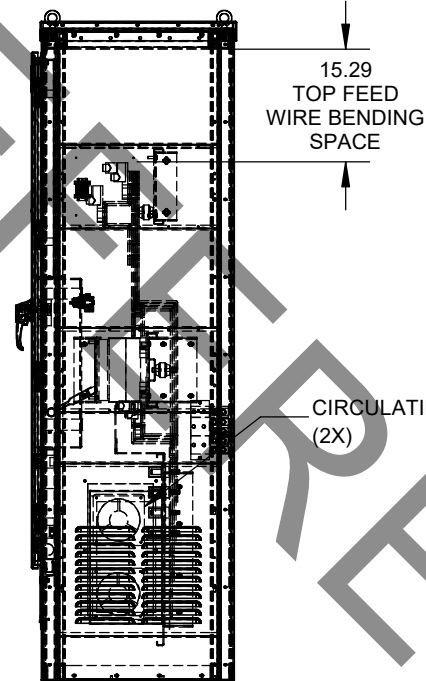


FRONT VIEW
(DOORS AND DEADFRONTS REMOVED)

PHASE & NEUTRAL
TERMINATION LUGS

2400A DISCONNECT
LABELED "GENERATOR"

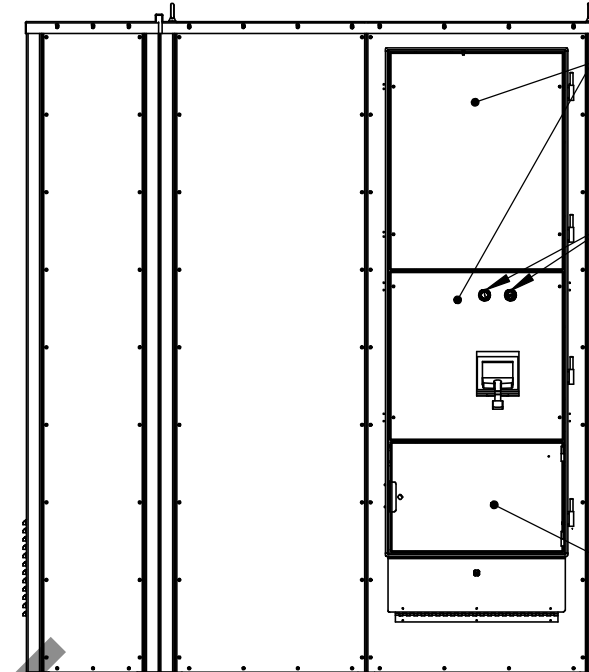
FEMALE SINGLE STAB CAMS
COLOR CODED:
PER VOLTAGE



RIGHT VIEW

15.29
TOP FEED
WIRE BENDING
SPACE

CIRCULATING FANS
(2X)



FRONT VIEW
(DOORS REMOVED)

REMOVABLE DEADFRONT
FOR OPERATOR SAFETY
WHILE CONNECTING AND
DISCONNECTING WIRING

ARC FLASH REDUCTION SWITCH
NEC 240.84 COMPLAINT
(OPTIONAL)

HINGED DEADFRONT
FOR OPERATOR SAFETY
WHILE CONNECTING AND
DISCONNECTING WIRING.

MODEL: 4824-SERIES

MATERIAL: GALV STEEL

THICKNESS: 12 GAUGE

COLOR: WRINKLE GRAY
(RAL 7035)

REFERENCE: 1011-54T-ASSY

ESL POWER SYSTEMS, INC.
CORONA, CALIFORNIA
(951) 739-7000 (800) 922-4188
eslpwr.com - info@eslpwr.com

1201-2400A
OUTTAP W/ DISCONNECT
3 PHASE + N + G

DRAWING NUMBER
4824-SERIES

SHEET
2 OF 2

FOR REFERENCE
DESCRIPTION

0	MAQ	01/25/2022
REV.	BY	DATE